

2019

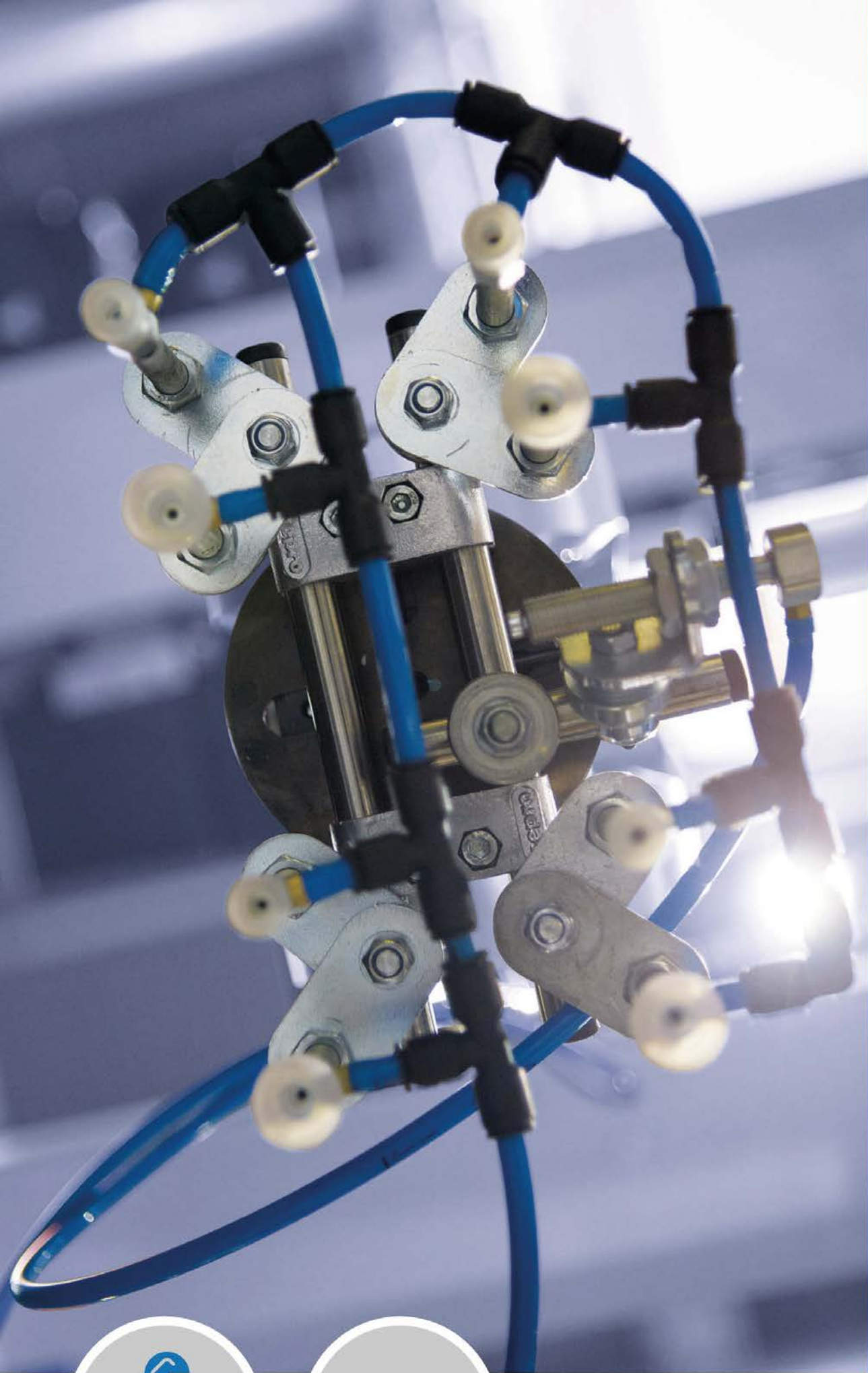


My **Gripper**

Make it yours !

Part List





**My Gripper**  
Make it yours !

**SEPRO** GROUP



**My Gripper**

# Editorial

## **My Gripper, Make it Yours!**

Every day, SEPRO Group's 650 employees located around the world guarantee our success. For you, we design, manufacture and integrate robots (3, 5 and 6 axes) as well as cobots. We listen to you and are always looking to better meet your needs, whether by supplying robots or by offering you comprehensive automation solutions, all while maintaining a very high level of service. Our staff, in cooperation with our many partners, invent every day to build an exciting future together with you.

It is with this innovative, partner-based and customer-focused approach that Sepro Group today launches its **My Gripper** offer. This offer complements our KIT offer, which has been in existence for many years. This first range is now supplemented with tools designed by two world leaders in the gripping sector: **Gimatic** and **AGS**.

From pliers to extrusions and mounting accessories, cutting elements, vacuum cups and a whole range of accessories, Sepro Group offers you a complete selection of tools allowing you to design grippers that perfectly fit your needs.


Better still: compatibility between the 3 selected brands is now available. This catalogue is supplemented by a digital selection guide, where you will learn how to best combine your gripper elements: [www.sepro-group.com/mygripper](http://www.sepro-group.com/mygripper) . Our customer service is also ready to help you with making the best choices. Do not hesitate to contact us!

We are convinced: My Gripper will cover all your gripping system solution needs in plastics industry robotics!

## **My Gripper, concevez votre préhenseur comme vous le voulez !**

**Xavier Lucas,**  
Director of Automation and Services

**01**  \_\_\_\_\_ p3  
Robot / EOAT connections

**02**  \_\_\_\_\_ p11  
Extrusions and mounting accessories

**03**  \_\_\_\_\_ p20  
Component holders

**04**  \_\_\_\_\_ p37  
EOAT grippers and fingers

**05**  \_\_\_\_\_ p47  
Cutting elements

**06**  \_\_\_\_\_ p50  
Vacuum cups

**07**  \_\_\_\_\_ p55  
Electronic accessories

**08**  \_\_\_\_\_ p57  
Pneumatic Accessories

---

Compatibility Table \_\_\_\_\_ p62

# 01

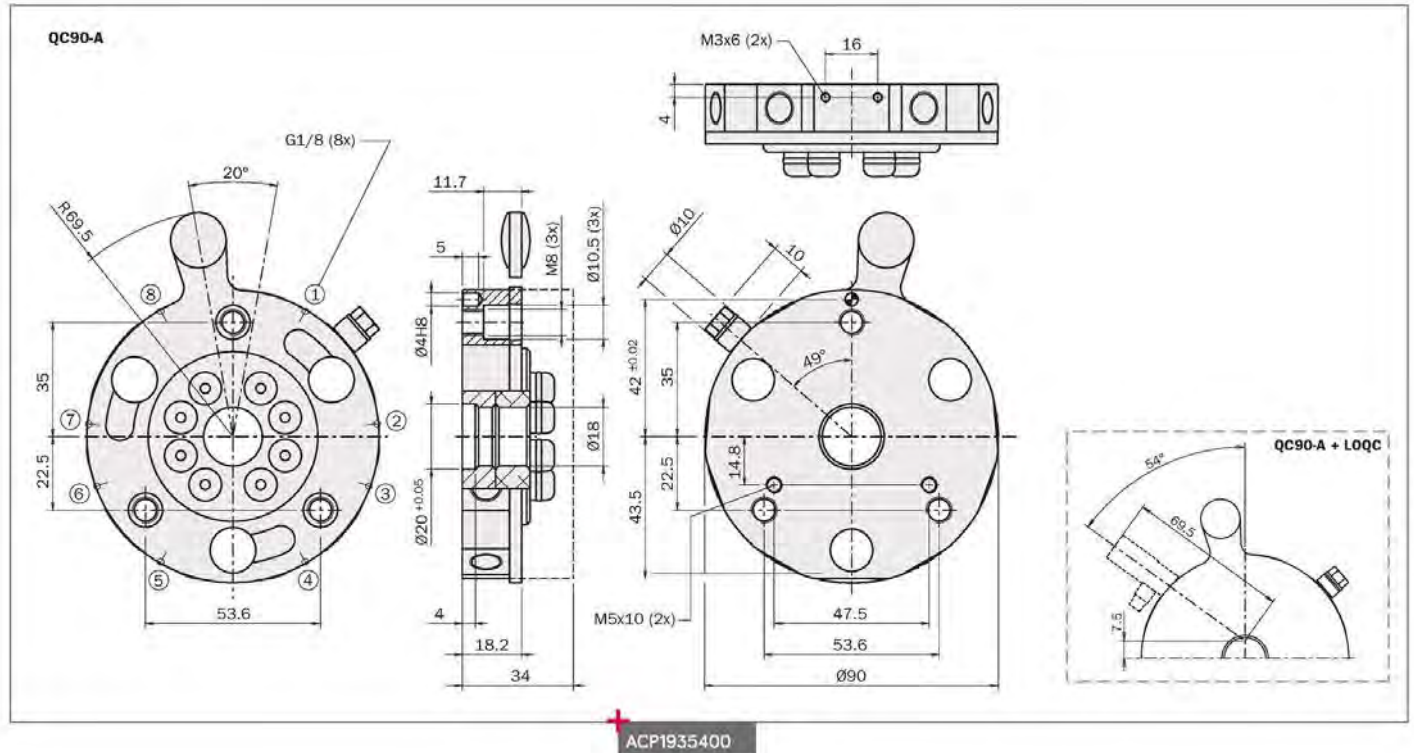
## → Robot / EOAT connections

Tool changes	p 6
Plates	p 8
Tool change interfaces	p 9
Spacers	p 10
Centering pins	p 10



## ► Tool changes ► Quick tool changes

The tool changes selected by Sepro Group are designed to be flexible.  
The gripper can easily be changed,  
Plug and play!



Référence	Product name	Description	Weight in g
<b>Tool changes</b>			
0000008024	QCX200-A* QUICK TOOL CHANGE pneum, -1/6 Bar, robot side, with safety valve	Pneumatic quick tool change, -1/6 Bar, robot side, with safety valve	4900
0000028466	QCY90-A* QUICK TOOL CHANGE pneum, -1/6 Bar, robot side, with automatic safety valve	Pneumatic quick tool change, -1/6 Bar, robot side, with automatic safety valve	352
0000038625	MFI-A41* QUICK TOOL CHANGE gripper side, size 100	Quick tool change, gripper side, size 100	270
ACP1914000	MFI-A40* QUICK TOOL CHANGE robot side, size 100, no connections	Quick tool change robot side, size 100, no connections	500
ACP1935400	QC90-A* QUICK TOOL CHANGE pneum, -1/6 Bar, robot side	Pneumatic quick tool change, -1/6 Bar, robot side	318
ACP2084500	QC150-A* QUICK TOOL CHANGE pneum, -1/6 Bar, robot side	Pneumatic quick tool change, -1/6 Bar, robot side	1123
ACP2084501	QC150-B* Pneum QUICK TOOL CHANGE, -1/6 Bar, gripper side	Pneumatic quick tool change, -1/6 Bar, gripper side	827
ACP2112900	QC90-B* Pneum QUICK TOOL CHANGE, -1/6 Bar, gripper side	Pneumatic quick tool change, -1/6 Bar, gripper side	227
ACP2163102	QC200-A* QUICK TOOL CHANGE pneum, -1/6 Bar, robot side	Pneumatic quick tool change, -1/6 Bar, robot side	2640
ACP2163103	QC200-B* Pneum QUICK TOOL CHANGE, -1/6 Bar, gripper side	Pneumatic quick tool change, -1/6 Bar, gripper side	1890
ACP2233700	QCX150-A* QUICK TOOL CHANGE pneum, -1/6 Bar, robot side, with safety valve	Pneumatic quick tool change, -1/6 Bar, robot side, with safety valve	2200
ACP2345500	MFI-A42* QUICK TOOL CHANGE robot side, size 160, no connections	Quick tool change robot side, size 160, no connections	1270
ACP2345501	MFI-A43* QUICK TOOL CHANGE gripper side, size 160	Quick tool change gripper side, size 160	670
0000063133	MFI-A343* QUICK TOOL CHANGE robot side, size 60	Quick tool change robot side, size 60	171
0000063134	MFI-A344* QUICK TOOL CHANGE gripper side, size 60	Quick tool change gripper side, size 60	65



## ► Tool changes ► Quick tool changes



0000011299  
0000011303  
'0000045571  
0000062819  
0000062820  
0000062821  
0000062837



0000062838  
0000062839

Référence	Product name	Description	Weight in g
<b>Tool changes</b>			
0000011303	GWS-2* QUICK TOOL CHANGE Master	Manual quick tool change, robot side, Length 160, Width 160, payload 20 kg	1063
'0000045571	GWS-R-20-K* QUICK TOOL CHANGE Master	Circular manual quick tool change, diameter 150, payload 100 kg, max. axial torque 250 Nm, max. radial torque 100 Nm, 10 pneumatic connections G 1/4	1297
0000062819	GWS-01* QUICK TOOL CHANGE Master	Manual quick tool change, robot side, Length 40, Width 40, payload 2.5 kg	148
0000062820	GWS-0* QUICK TOOL CHANGE Master	Manual quick tool change, robot side, Length 60, Width 60, payload 5 kg	202
0000062821	GWS-3* QUICK TOOL CHANGE Master	Manual quick tool change, robot side, Length 250, Width 250, payload 40 kg	3184
0000062837	GWS-R-10-K* QUICK TOOL CHANGE Master	Circular manual quick tool change, diameter 90, payload 40 kg, max. axial torque 100 Nm, max. radial torque 50Nm, 8 pneumatic connections G 1/4	430
0000011299	GWS-1* QUICK TOOL CHANGE Master	Manual quick tool change, robot side, Length 100, Width 100, payload 10 kg	418
0000062839	GGP-R-20-P22* QUICK TOOL CHANGE Tool	Quick tool change, EOAT side, for extrusion P22 and for quick tool change GWS-R-20-K	1268
0000062838	GGP-R-10-P13* QUICK TOOL CHANGE Tool	Quick tool change, EOAT side, for extrusion P13 and for quick tool change GWS-R-10-K	380

## ► Plates ► Base plates

Your adapter for different types of prisms.



Référence	Product name	Description	Weight in g
<b>Plates</b>			
0000062825	GGP-0-P13-0-1* BASE PLATE for extrusion P13 and for quick tool change GWS-0	Quick base plate, EOAT side, for extrusion P13 and quick tool change GWS-0, fixing possible with 1 dovetail parallel to the insertion direction on the quick tool change	76
0000062826	GGP-01-P13-0-1* BASE PLATE for extrusion P13 and for quick tool change GWS-01	Quick base plate, EOAT side, for extrusion P13 and quick tool change GWS-01, fixing possible with 1 dovetail parallel to the insertion direction on the quick tool change	30
0000062827	GGP-0-P13-0-2* BASE PLATE for extrusion P13 and for quick tool change GWS-0	Quick base plate, EOAT side, for extrusion P13 and quick tool change GWS-0, mounting possible with 2 dovetails parallel to the insertion direction on the quick tool change	80
0000062828	GGP-0-P22-0-1* BASE PLATE for extrusion P22 and for quick tool change GWS-0	Quick base plate, EOAT side, for extrusion P22 and quick tool change GWS-0, fixing possible with 1 dovetail parallel to the insertion direction on the quick tool change	83
0000062829	GGP-1-P13-0-3* BASE PLATE for extrusion P13 and for quick tool change GWS-1	Quick base plate, EOAT side, for extrusion P13 and quick tool change GWS-1, mounting possible with 3 dovetails parallel to the insertion direction on the quick tool change	180
0000062830	GGP-1-P13-90-3* BASE PLATE for extrusion P13 and for quick tool change GWS-1	Quick base plate, EOAT side, for extrusion P13 and quick tool change GWS-1, mounting possible with 3 dovetails perpendicular to the insertion direction on the quick tool change	177
0000062831	GGP-1-P22-0-1* BASE PLATE for extrusion P22 and for quick tool change GWS-1	Quick base plate, EOAT side, for extrusion P22 and quick tool change GWS-1, fixing possible with 1 dovetail parallel to the insertion direction on the quick tool change	183
0000062832	GGP-1-P22-0-2* BASE PLATE for extrusion P22 and for quick tool change GWS-1	Quick base plate, EOAT side, for extrusion P22 and quick tool change GWS-1, mounting possible with 2 dovetails parallel to the insertion direction on the quick tool change	221
0000062833	GGP-2-P22-0-3* BASE PLATE for extrusion P22 and for quick tool change GWS-2	Quick base plate, EOAT side, for extrusion P22 and quick tool change GWS-2, mounting possible with 3 dovetails parallel to the insertion direction on the quick tool change	568
0000062834	GGP-2-P22-90-3* BASE PLATE for extrusion P22 and for quick tool change GWS-2	Quick base plate, EOAT side, for extrusion P22 and quick tool change GWS-2, mounting possible with 3 dovetails perpendicular to the insertion direction on the quick tool change	627
0000062835	GGP-3-P22-0-3* BASE PLATE for extrusion P22 and for quick tool change GWS-3	Quick base plate, EOAT side, for extrusion P22 and quick tool change GWS-3, mounting possible with 3 dovetails parallel to the insertion direction on the quick tool change	1422
0000062836	GGP-3-P22-90-3* BASE PLATE for extrusion P22 and for quick tool change GWS-3	Quick base plate, EOAT side, for extrusion P22 and quick tool change GWS-3, mounting possible with 3 dovetails perpendicular to the insertion direction on the quick tool change	1490
AM02S09142	BP135 * BASE PLATE D135	Base plate D135 for EOAT connection on Sepro robot rotation	677
AM02S5M166	BP90 * BASE PLATE D90	Base plate D90 for EOAT connection on Sepro robot rotation	233
AMK00000B5	BP120 * BASE PLATE D 120	Base plate D120 for EOAT connection on Sepro robot rotation	484
AMK00000B6	BP146 * BASE PLATE D146	Base plate D146 for EOAT connection on Sepro robot rotation	764
AMK00000CL	BPH1 * EOAT support UNIT D90 and D120	EOAT support unit D90 and D120 for storage	395
AMK00000CM	BPH2 * EOAT support UNIT D135 and D146	EOAT support unit D135 and D146 for storage	742
AMK00000E3	ABP1 * EOAT ADAPTOR KIT D120 on D135	EOAT adaptor kit with a BP90/BP120 to a robot with a BP135	1500
AMK00000E4	ABP2 * EOAT ADAPTOR KIT D135 on D120	EOAT adaptor kit with a BP35 to a robot with a BP120	2000
AMK00000FO	ABP3 * EOAT ADAPTOR KIT Sepro - client	EOAT adaptor kit with a BP90/120 to a client robot.	300

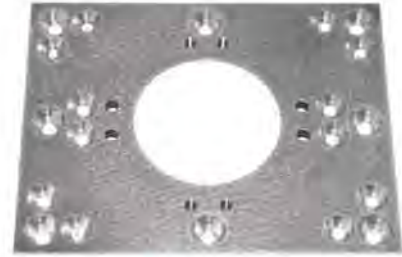




## ► Plates ► Adapter plates

Your basic accessory for installing your EOAT on the arm of your robot. Start with a good base!

The fixing plates selected by Sepro Group provide a great versatility of applications.



AMK00000B7

## ► Tool change interfaces

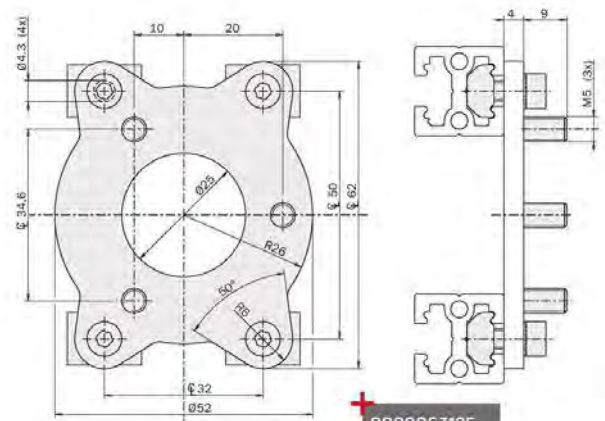
These well-designed interfaces allow you to easily install a tool change.



0000040944  
0000063092



0000063131



0000063125

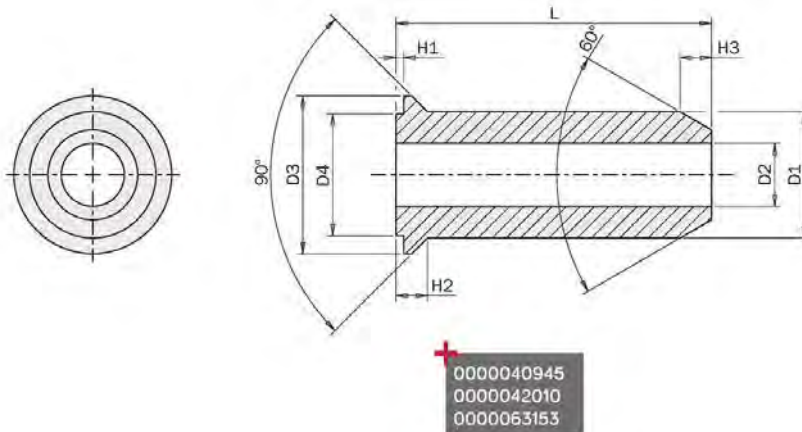
Référence	Product name	Description	Weight in g
<b>Plates</b>			
000004571	ADAPTER PLATE BP120/QC150-A	Adapter plate for mounting gimatic QC150-A quick tool change on the Sepro BP120 base plate	
0000014397	ADAPTER PLATE BP135/QCX150-A	Adapter plate for mounting gimatic QC150-A quick tool change on the Sepro BP135 base plate	
0000020186	ADAPTER PLATE BP90/QC90-A	Adapter plate for mounting gimatic QC90-A quick tool change on the Sepro BP90 base plate	
AMK00000B7	RBP150 * ADAPTOR PLATE W=150 L=200	Adapter plate W=120 L=150 for mounting on extrusion and bitube extrusion with base plate BP90	294
AMK00000B8	RBP200 * ADAPTOR PLATE W=150 L=200	Adapter plate W=150 L=200 for mounting on extrusion and bitube extrusion with base plate BP135/ BP146/ BP120	521
AMK00000B9	RBP300 * ADAPTOR PLATE W=200 L= 300	Adapter plate W=200 L=300 for mounting on extrusion and bitube extrusion with base plate BP135/ BP146	1400
<b>Tool change interfaces</b>			
0000040944	MFI-A102* INTERFACE for quick tool change QC90-B, with screw	Interface for quick tool change QC90-B, with screw	190
0000063092	MFI-A103* INTERFACE for quick tool change QC150-B, with screw	Interface for quick tool change QC150-B, with screw	540
0000063125	MFI-A276* INTERFACE for quick tool change QC200-B, with screw	Interface for quick tool change QC200-B, with screw	1850
0000063131	MFI-A328* INTERFACE tubes, d20 mm, for QC90-B, with screws	Interface tubes, 20 mm diameter, for QC90-B, with screws	322

## ► Spacers

The spacers selected by Sepro Group guarantee stable and solid support thanks to good design and robust material.

## ► Centering pins ► Centering studs

Sepro Group offers centering pins in various sizes and shapes to suit all circumstances.



Référence	Product name	Description	Weight in g
<b>Spacers</b>			
AMK00000DZ	EBP90 * EOAT SPACER Ø90 H15	EOAT spacer Ø90 H15 for base plate BP90	60
AMK00000E0	EBP120 * EOAT SPACER Ø120 H20	EOAT spacer Ø120 H20 for base plate BP120	169
AMK00000E1	EBP135 * EOAT SPACER Ø135 H40	EOAT spacer Ø135 H40 for base plate BP135	383
<b>Centering pins</b>			
0000040945	QC9065* Centering stud KIT, robot side	Centering stud kit to position on the robot side	32
0000042010	QC150100* Centering stud KIT, robot side	Centering stud kit to position on the robot side	250
0000063153	QC200120* Centering stud KIT, robot side	Centering stud kit to position on the robot side	450

# 02

---

## → Extrusions and mounting accessories

---

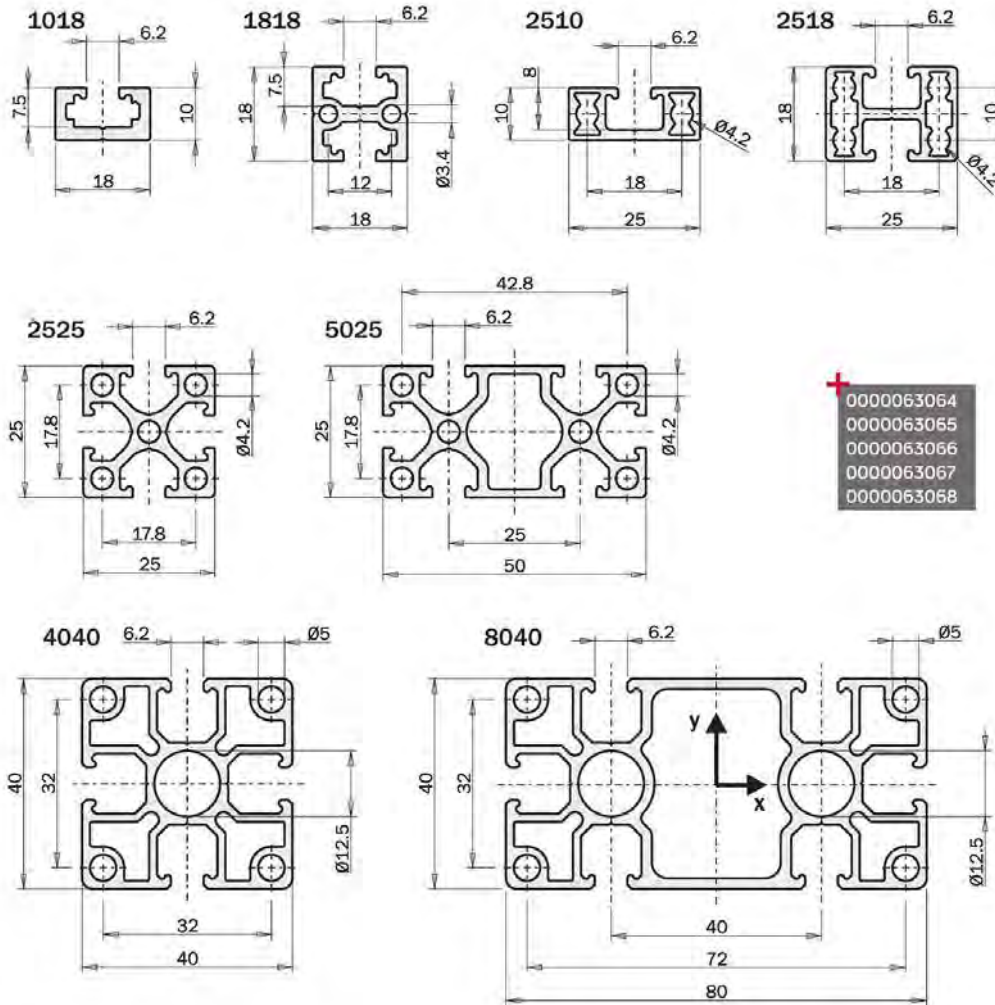
Extrusions	p 12
Connection prisms	p 14
Linking brackets	p 16
Fixing plates	p 16
Fixing clamps	p 17
End caps	p 18
Accessories	p 19



## ► Extrusions

### ► GIMATIC extrusions

MyGripper extrusions form a complete modular system from which grippers of all shapes and sizes can be manufactured.



## ► Sepro tubes

Référence	Product name	Description	Weight in g
<b>Extrusions</b>			
0000063064	EMF-1818-2000* Black aluminium EXTRUSION, L2 m	Black aluminium extrusion, length 2 metres	760
0000063065	EMF-2525-2000* Black aluminium EXTRUSION, L2 m	Black aluminium extrusion, length 2 metres	1220
0000063066	EMF-4040-2000* Black aluminium EXTRUSION, L2 m	Black aluminium extrusion, length 2 metres	2600
0000063067	EMF-5025-2000* Black aluminium EXTRUSION, L2 m	Black aluminium extrusion, length 2 metres	2080
0000063068	EMF-8040-2000* Black aluminium EXTRUSION, L2 m	Black aluminium extrusion, length 2 metres	4360
ACK0000051	T6 * TUBE 6x6 L1000	Square extrusion 6X6 L1m for small EOAT	91/m
ACK0000052	T12 * TUBE D12 L1000	Tube D12 L1m for mid-sized EOAT. Inner diameter 10 mm and outer diameter 12mm	255/m
ACK0000053	T20 * TUBE D20 L2000	Tube D20 L2m for large-sized EOAT. Inner diameter 18 mm and outer diameter 20mm	425/m



## ► Extrusions ► AGS extrusions



0000062841  
0000062842  
0000062843



0000062844



0000062842



0000062845



0000062843



0000062846

Référence	Product name	Description	Weight in g
<b>Extrusions</b>			
0000062841	SPP-18-10-P13-2000* EXTRUSION P13 18x10 L2000mm	Extrusion P13 18x10 L2000 mm 4 dovetailed sides with the possibility of threading 2 ends of the extrusion - 2x M4 on each end	426
0000062842	SPP-18-18-P13-2000* EXTRUSION P13 18x18 L2000mm	Extrusion P13 18x18 L2000 mm 4 dovetailed sides with the possibility of threading 2 ends of the extrusion - 4x M4 on each end	686
0000062843	SPP-18-18-P13-N-2000* EXTRUSION P13 18x18 L2000mm	Extrusion P13 18x18 L2000 3 dovetailed sides and one grooved side, possibility of threading 2 ends of the extrusion - 2x M4 on each end	734
0000062844	MPP-30-30-P22-2000* EXTRUSION P22 30x30 L2000mm	Extrusion P22 30x30 L2000 mm 4 dovetailed sides with the possibility of threading 2 ends of the extrusion - 4x M5 on each end	1860
0000062845	MPP-30-30-P22-N-2000* EXTRUSION P22 30x30 L2000mm	Extrusion P22 30x30 L2000 mm 4 dovetailed sides, 1 of which has a groove	1488
0000062846	MPP-60-30-P22-2000* EXTRUSION P13 60x30 L2000mm	Extrusion P13 60x30 L2000 mm 6 dovetailed sides with the possibility of threading 2 ends of the extrusion - 4x M4 on each end	2684

## ► Connection prisms

Our connection prisms are simple, robust and easy to use.



+  
0000062853  
0000062854  
0000062855  
0000062856



+  
0000062865  
0000062866



+  
0000062857  
0000062858  
0000062860



+  
0000062856  
0000062859  
0000062861



+  
0000062869  
0000062870



+  
0000042010  
0000063153

Référence	Product name	Description	Weight in g
<b>Connection prisms</b>			
0000062853	KVS-P13-P13+ CONNECTION PRISM for extrusions 90°	Connection prism for multiple assemblies between prism P13/P13 with a 90° angle between the two prisms on the same plane	8
0000062854	KVS-P13-P22* CONNECTION PRISM for extrusions 90°	Connection prism for multiple assemblies between prism P13/P22 with a 90° angle between the two prisms on the same plane	24
0000062855	KVS-P22-P22* CONNECTION PRISM for extrusions 90°	Connection prism for multiple assemblies between prism P22/P22 with a 90° angle between the two prisms on the same plane	26
0000062856	PPV-P13-P13-2* CONNECTION PRISM for parallel extrusions	Connection prism for multiple assemblies between prism P13/P13 with parallel positioning between the 2 prisms	9
0000062857	WIV-2-2-P13-P13* ANGLE BRACKET for extrusions 90°	Angle bracket for multiple assemblies between prism P13/P13 with a 90° angle between the 2 prisms	17
0000062858	WIV-2-2-P13-P22* ANGLE BRACKET for extrusions 90°	Angle bracket for multiple assemblies between prism P13/P22 with a 90° angle between the 2 prisms	48
0000062859	PPV-P13-P22-2* CONNECTION PRISM for parallel extrusions	Connection prism for multiple assemblies between prism P13/P22 with parallel positioning between the 2 prisms	26
0000062860	WIV-2-2-P22-P22* ANGLE BRACKET for extrusions 90°	Angle bracket for multiple assemblies between prism P22/P22 with a 90° angle between the 2 prisms.	43
0000062861	PPV-P22-P22-2* CONNECTION PRISM for parallel extrusions	Connection prism for multiple assemblies between prism P22/P22 with parallel positioning between the 2 prisms	24
0000062862	PDV-P13-P13-360* Turn-connection PRISM for extrusions	Rotary connector for multiple assemblies between prisms P13/P13 with 360° rotary adjustment	31
0000062863	PDV-P22-P22-360* Turn-connection PRISM for extrusions	Rotary connector for multiple assemblies between prisms P22/P22 with 360° rotary adjustment	58
0000062864	PDV-P13-P22-360* Turn-connection PRISM for extrusions	Rotary connector for multiple assemblies between prisms P13/P22 with 360° rotary adjustment	38
0000062865	PDV-P13-S-360-E* Turn-connection PRISM for extrusions	Rotary connector for multiple assemblies between prism P13 and groove of the E standard extrusion with 360° rotary adjustment	12
0000062866	PDV-P22-X-L-360-E* Turn-connection PRISM for extrusions	Rotary connector for multiple assemblies between prism P22 and groove of the E standard extrusion with 360° rotary adjustment	32
0000042010	PGE-P13-P13* SEAL for extrusion P13-P13	Seal for extrusion P13-P13	56
0000063153	PGE-P122-P22* SEAL for extrusion P22-P22	Seal for extrusion P22-P22	118
0000062869	APP-P13* ADAPTER PLATE with groove for extrusions	Adaptation T-nut between extrusion with a groove and extrusions with a prism P13	30
0000062870	APP-P22* ADAPTER PLATE with groove for extrusions	Adaptation T-nut between extrusion with a groove and extrusions with a prism P22	49



## ► Connection prisms



## ► Linking brackets



## ► Linking flat



## ► Linking clamp for tube

Référence	Product name	Description	Weight (g)
<b>Connection prisms</b>			
0000062875	KVP-A-P13-P13* Linking BRACKET 2 extrusions 90°	Linking bracket 2 extrusions P13/P13 90°	22
0000062876	KVP-A-P22-P22* Linking BRACKET 2 extrusions 90°	Linking bracket 2 extrusions P22/P22 90°	69
0000062877	KVP-A-P22-P13* Linking BRACKET 2 extrusions 90°	Linking bracket 2 extrusions P22/P13 90°	46
0000062873	KVP-PI-13-XL* Linking BRACKET 2 extrusions 90°	Linking bracket 2 extrusions 90°, one with prism P13 and other with groove XPR/LPR	28
0000062874	KVP-PI-22-XL* Linking BRACKET 2 extrusions 90°	Linking bracket 2 extrusions 90°, one with prism P22 and other with groove XPR/LPR	59
0000062871	VPS-P13* FIXING FLAT 90° - 2 extrusions	Fixing flat 2 extrusions P13 at each end 90° from the flat with a center distance of 70 mm	21
0000062872	VPS-P22* FIXING FLAT 90° - 2 extrusions	Fixing flat 2 extrusions P22 at each end 90° from the flat with a center distance of 120 mm	63
AMK00000DP	LT1220 * SINGLE TUBE CLAMP-double- D12/D20-	Single tube linking clamp-double- D20+D12 at 90° on the same plane fixing M6	100
AMK00000DO	L2T20 * SINGLE TUBE CLAMP-double-D20-	Single tube linking clamp-double-2xD20 at 90° on the same plane fixing M6	150
AMK00000DN	LT20 * SINGLE TUBE CLAMP-simple-D20	Single tube linking clamp D20 for EOAT design using tubular D12 T12 fixing M6	92

## ▶ Linking brackets

Your choice of fixing clamps for mounting your accessories.



## ▶ Fixing plates

The fixing plates selected by Sepro Group provide a great versatility of applications.



0000063113  
0000063114



0000063115  
0000063116



0000063111

Référence	Product name	Description	Weight in g
<b>Linking brackets</b>			
0000063101	MFI-A140* CLAMP for fixing extrusions 90°, with screws	Clamp for fixing extrusions 90°, with screws	33
0000063102	MFI-A141* CLAMP for fixing extrusions 90°, with screws	Clamp for fixing extrusions 90°, with screws	82
<b>Fixing plates</b>			
0000063111	MFI-A225* Fixing PLATE with adjustable angle for size 80, with screws	Fixing plate with adjustable angle for size 80, with screws	115
0000063113	MFI-A230* T-shape FIXING PLATE, L100 mm, with screws	T-shape fixing plate, length 100 mm, with screws	145
0000063114	MFI-A231* T-shape FIXING PLATE, L120 mm, with screws	T-shape fixing plate, length 120 mm, with screws	250
0000063115	MFI-A233* L-shape FIXING PLATE, L70 mm, with screws	L-shape fixing plate, length 70 mm, with screws	95
0000063116	MFI-A234* L-shape FIXING PLATE, L120 mm, with screws	L-shape fixing plate, length 120 mm, with screws	200





## ► Fixing clamps



+  
0000063108  
0000063118



+  
0000063098  
0000063124  
0000043735  
0000063126

Référence	Product name	Description	Weight in g
<b>Fixing clamps</b>			
0000063108	MFI-A17* CLAMP for cross-fixing 50/25 mm, with screws	Clamp for cross-fixing 50/25 mm, with screws	65
0000063118	MFI-A244* CLAMP for cross-fixing 18/18 mm, with screws	Clamp for cross-fixing 18/18 mm, with screws	32
0000063093	MFI-A11* CLAMP for cross-fixing extrusions, 25/25 mm, with screws	Clamp for cross-fixing extrusions, 25/25 mm, with screws	75
0000063098	MFI-A13* CLAMP for cross-fixing extrusions, 25/50 mm, with screws	Clamp for cross-fixing extrusions, 25/50 mm, with screws	155
0000063124	MFI-A265* CLAMP for cross-fixing extrusions, 18/25 mm, with screws	Clamp for cross-fixing extrusions, 18/25 mm, with screws	60
0000043735	MFI-A29* CLAMP for cross-fixing extrusions, 40/40 mm, with screws	Clamp for cross-fixing extrusions, 40/40 mm, with screws	85
0000063126	MFI-A31* CLAMP for cross-fixing extrusions, 40/80 mm, with screws	Clamp for cross-fixing extrusions, 40/80 mm, with screws	175

## ► End caps

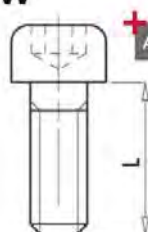


Référence	Product name	Description	Weight in g
<b>End caps</b>			
ACK0000043	ST12 * END CAP wing-type for tube D12	End cap, wing-type, for tube D12 (Bag of 10)	x
ACK0000044	ST20 * END CAP wing-type for tube D20	End cap, wing-type, for tube D20 (Bag of 10)	x
0000063109	MFI-A21* PLUGS for extrusion, EMF-2525 (10 parts)	Plugs for extrusion, EMF-2525 (10 parts)	15
0000063110	MFI-A22* PLUGS for extrusion, EMF-5025 (10 parts)	Plugs for extrusion, EMF-5025 (10 parts)	25
0000063112	MFI-A23* PLUGS for extrusion, EMF-1818 (10 parts)	Plugs for extrusion, EMF-1818 (10 parts)	6
0000063119	MFI-A25* PLUGS for extrusion, EMF-4040 (10 parts)	Plugs for extrusion, EMF-4040 (10 parts)	38
0000063123	MFI-A26* PLUGS for extrusion, EMF-8040 (10 parts)	Plugs for extrusion, EMF-8040 (10 parts)	75
0000062847	PEK-18-10-P13* END CAPS for extrusions 18x10	End caps for extrusions L18 W10 for extrusion P13	5g/10
0000062848	PEK-18-18-P13* END CAPS for extrusions 18x18	End caps for extrusions L18 W18 for extrusion P13	8g/10
0000062849	PEK-18-18-P13-N* END CAPS for extrusions 18x18	End caps for extrusions L18 W18 for extrusion P13	27g/10
0000062850	PEK-30-30-P22* END CAPS for extrusions 30x30	End caps for extrusions L30 W30 for extrusion P22	19g/10
0000062851	PEK-30-30-P22-N* END CAPS for extrusions 30x30	End caps for extrusions L30 W30 for extrusion P13	36g/10
0000062852	PEK-60-30-P22* END CAPS for extrusions 60x30	End caps for extrusions L60 W30 for extrusion P22	x

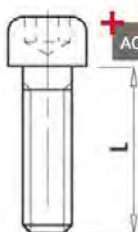


## ► Accessories

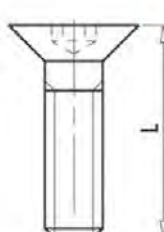
### ► Screw



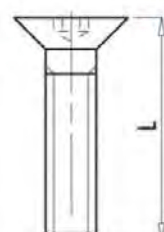
ACK0000020



ACK0000023



ACK0000029



ACK0000030

### ► Nuts



0000063077



0000063081



0000063082



0000063089

Référence	Product name	Description	Weight in g
<b>Accessories</b>			
ACK0000020	B12 * SCREWS M6x12 (Bag of 20)	HSHC screws M6x12 class 8.8 (Bag of 20)	x
ACK0000021	B16 * SCREWS M6x16 (Bag of 20)	HSHC screws M6x16 class 8.8 (Bag of 20)	x
ACK0000022	B20 * SCREWS M6x20 (Bag of 20)	HSHC screws M6x20 class 8.8 (Bag of 20)	x
ACK0000023	C12 * SCREWS M5X12 (Bag of 50)	HSHC screws M5x12 class 8.8 (Bag of 50)	x
ACK0000024	C16 * SCREWS M5X16 (Bag of 50)	HSHC screws M5x16 class 8.8 (Bag of 50)	x
ACK0000025	C20 * SCREWS M5X20 (Bag of 50)	HSHC screws M5x20 class 8.8 (Bag of 50)	x
ACK0000026	C25 * SCREWS M5X25 (Bag of 50)	HSHC screws M5x25 class 8.8 (Bag of 50)	x
ACK0000027	C30 * SCREWS M5X30 (Bag of 50)	HSHC screws M5x30 class 8.8 (Bag of 50)	x
ACK0000028	C40 * SCREWS M5X40 (Bag of 50)	HSHC screws M5x40 class 8.8 (Bag of 50)	x
ACK0000029	D12 * SCREWS M6X12 (Bag of 20)	FHSC screws M6X12 class 8.8 (Bag of 20)	x
ACK0000030	E12 * SCREWS M5X12 (Bag of 50)	FHSC screws M5X12 class 8.8 (Bag of 50)	x
ACK0000031	E16 * SCREWS M5X16 (Bag of 50)	FHSC screws M5X16 class 8.8 (Bag of 50)	x
ACK0000032	E20 * SCREWS M5X20 (Bag of 50)	FHSC screws M5X20 class 8.8 (Bag of 50)	x
ACK0000033	E25 * SCREWS M5X25 (Bag of 50)	FHSC screws M5X25 class 8.8 (Bag of 50)	x
ACK0000034	E30 * SCREWS M5X30 (Bag of 50)	FHSC screws M5X30 class 8.8 (Bag of 50)	x
ACK0000035	E40 * SCREWS M5X40 (Bag of 50)	FHSC screws M5X40 class 8.8 (Bag of 50)	x
0000063077	MFI-003* NUT M4, L16 mm	Nut M4, length 16 mm	5
0000063078	MFI-006* NUT M5, L20 mm	Nut M5, length 20 mm	7
0000063079	MFI-009* NUT M5, L25 mm	Nut M5, length 25 mm	9
0000063080	MFI-016* NUT M5, L32 mm	Nut M5, length 32 mm	11
0000063081	MFI-020* NUT M5, L50 mm	Nut M5, length 50 mm	18
0000063082	MFI-025* NUT M5, L15 mm	Nut M5, length 15 mm	5
0000063083	MFI-027* NUT M5, L35 mm	Nut M5, length 35 mm	13
0000063084	MFI-029* NUT M5, L45 mm	Nut M5, length 45 mm	16
0000063085	MFI-045* NUT M5, L100 mm	Nut M5, length 100 mm	38
0000063086	MFI-055* NUT M5, L38 mm	Nut M5, length 38 mm	14
0000063087	MFI-148* NUT M5, L25 mm	Nut M5, length 25 mm	9
0000063088	MFI-177* NUT M4, L15 mm	Nut M4, length 15 mm	5
0000063089	MFI-178* NUT M6, L15 mm	Nut M6, length 15 mm	5
ACK0000036	NUT3 * NYLON SET SCREWS M6 (Bag of 50)	Nylon set screws M6 (Bag of 50)	x
ACK0000037	NUT4 * NYLON SET SCREWS M5 (Bag of 50)	Nylon set screws M5 (Bag of 50)	x

# 03

## → Component holders

EOAT arms	p 21
Non-rotative suspensions	p 23
Clamp cylinders	p 24
Nozzles	p 27
Accessory holders	p 30
Adapters for nippers	p 32
Adapters for grippers	p 33
Component holders	p 34



## ► EOAT arms ► Fixing support

Our selection of EOAT arms enables integration of the EOAT elements with the EOAT, with the elements held tightly in place, according to the designated load.



- 0000063003
- 0000063004
- 0000063005
- 0000063006
- 0000063007
- 0000063008
- 0000063009
- 0000063010
- 0000063011
- 0000063012
- 0000063013
- 0000063014



- 0000062975
- 0000062976
- 0000062977
- 0000062978
- 0000062979
- 0000062980
- 0000062981
- 0000062982

Référence	Product name	Description	Weight m g
<b>EOAT arms</b>			
0000062975	GWR-10-10-60* Fixed NOZZLE, tube mounting	Fixed EOAT gripper, attachment of the arm by clamping on a D10 L 30 mm tube, features a fixed clamp for tube D10 at its end	9
0000062976	GWR-10-10-90* Fixed NOZZLE, tube mounting	Fixed EOAT gripper, attachment of the arm by clamping on a D10 L 90 mm tube, features a fixed clamp for tube D10 at its end	13
0000062977	GWR-14-14-80* Fixed NOZZLE, tube mounting	Fixed EOAT gripper, attachment of the arm by clamping on a D14 L 80 mm tube, features a fixed clamp for tube D14 at its end	30
0000062978	GWR-14-14-120* Fixed NOZZLE, tube mounting	Fixed EOAT gripper, attachment of the arm by clamping on a D14 L 120 mm tube, features a fixed clamp for tube D14 at its end	38
0000062979	GWR-20-20-100* Fixed NOZZLE, tube mounting	Fixed EOAT gripper, attachment of the arm by clamping on a D20 L 100 mm tube, features a fixed clamp for tube D20 at its end	65
0000062980	GWR-20-20-150* Fixed NOZZLE, tube mounting	Fixed EOAT gripper, attachment of the arm by clamping on a D20 L 150 mm tube, features a fixed clamp for tube D20 at its end	73
0000062981	GWR-30-30-140* Fixed NOZZLE, tube mounting	Fixed EOAT gripper, attachment of the arm by clamping on a D30 L 140 mm tube, features a fixed clamp for tube D30 at its end	214
0000062982	GWR-30-30-200* Fixed NOZZLE, tube mounting	Fixed EOAT gripper, attachment of the arm by clamping on a D30 L 200 mm tube, features a fixed clamp for tube D30 at its end	216
0000063001	GWP-PI-16-14-20* Fixed NOZZLE, prism mounting	Fixed EOAT gripper, attachment of the arm by clamping on a D14 L 20 mm tube, features a fixed clamp for prism P16 at its end	x
0000063002	GWP-PI-20-20-25* Fixed NOZZLE, prism mounting	Fixed EOAT gripper, attachment of the arm by clamping on a D20 L 25 mm tube, features a fixed clamp for prism P20 at its end	x
0000063003	GWP-PI-13-10-30* Fixed NOZZLE, prism mounting	Fixed EOAT gripper, attachment of the arm by clamping on a D10 L 30 mm tube, features a fixed clamp for prism P13 at its end	19
0000063004	GWP-PI-13-10-60* Fixed NOZZLE, prism mounting	Fixed EOAT gripper, attachment of the arm by clamping on a D10 L 60 mm tube, features a fixed clamp for prism P13 at its end	23
0000063005	GWP-PI-13-10-90* Fixed NOZZLE, prism mounting	Fixed EOAT gripper, attachment of the arm by clamping on a D10 L 90 mm tube, features a fixed clamp for prism P13 at its end	28
0000063006	GWP-PI-13-14-40* Fixed NOZZLE, prism mounting	Fixed EOAT gripper, attachment of the arm by clamping on a D14 L 40 mm tube, features a fixed clamp for prism P13 at its end	25
0000063007	GWP-PI-13-14-80* Fixed NOZZLE, prism mounting	Fixed EOAT gripper, attachment of the arm by clamping on a D14 L 80 mm tube, features a fixed clamp for prism P13 at its end	34
0000063008	GWP-PI-13-14-120* Fixed NOZZLE, prism mounting	Fixed EOAT gripper, attachment of the arm by clamping on a D14 L 120 mm tube, features a fixed clamp for prism P13 at its end	42
0000063009	GWP-PI-22-14-40* Fixed NOZZLE, prism mounting	Fixed EOAT gripper, attachment of the arm by clamping on a D14 L 40 mm tube, features a fixed clamp for prism P22 at its end	49
0000063010	GWP-PI-22-14-80* Fixed NOZZLE, prism mounting	Fixed EOAT gripper, attachment of the arm by clamping on a D14 L 80 mm tube, features a fixed clamp for prism P22 at its end	57
0000063011	GWP-PI-22-14-120* Fixed NOZZLE, prism mounting	Fixed EOAT gripper, attachment of the arm by clamping on a D14 L 120 mm tube, features a fixed clamp for prism P22 at its end	66
0000063012	GWP-PI-22-20-50* Fixed NOZZLE, prism mounting	Fixed EOAT gripper, attachment of the arm by clamping on a D20 L 50 mm tube, features a fixed clamp for prism P22 at its end	60
0000063013	GWP-PI-22-20-100* Fixed NOZZLE, prism mounting	Fixed EOAT gripper, attachment of the arm by clamping on a D20 L 100 mm tube, features a fixed clamp for prism P22 at its end	76
0000063014	GWP-PI-22-20-150* Fixed NOZZLE, prism mounting	Fixed EOAT gripper, attachment of the arm by clamping on a D20 L 150 mm tube, features a fixed clamp for prism P22 at its end	92

## ► EOAT arms

### ► Multi-directional nozzles



0000062983  
0000062984  
0000062985  
0000062986  
0000062987  
0000062988  
0000062989  
0000062990  
0000062991  
0000062992  
0000062993  
0000062994

### ► Spring-loaded nozzles



0000062969  
0000062970  
0000062971  
0000062972  
0000062973  
0000062974

Référence	Product name	Description	Weight In g
<b>EOAT arms</b>			
0000062983	GVR-10-10-60° Multi-directional NOZZLE, tube mounting	Adjustable EOAT gripper, Attachment of the arm by clamping on a D10 L 60 mm tube, features a multi-directional clamp for tube D10 at its end	32
0000062984	GVR-10-10-90° Multi-directional NOZZLE, tube mounting	Adjustable EOAT gripper, Attachment of the arm by clamping on a D10 L 90 mm tube, features a multi-directional clamp for tube D10 at its end	36
0000062985	GVR-14-14-80° Multi-directional NOZZLE, tube mounting	Adjustable EOAT gripper, Attachment of the arm by clamping on a D14 L 80 mm tube, features a multi-directional clamp for tube D14 at its end	63
0000062986	GVR-14-14-120° Multi-directional NOZZLE, tube mounting	Adjustable EOAT gripper, Attachment of the arm by clamping on a D14 L 120 mm tube, features a multi-directional clamp for tube D14 at its end	70
0000062987	GVR-20-20-100° Multi-directional NOZZLE, tube mounting	Adjustable EOAT gripper, Attachment of the arm by clamping on a D20 L 100 mm tube, features a multi-directional clamp for tube D20 at its end	103
0000062988	GVR-20-20-150° Multi-directional NOZZLE, tube mounting	Adjustable EOAT gripper, Attachment of the arm by clamping on a D20 L 150 mm tube, features a multi-directional clamp for tube D20 at its end	130
0000062989	GVR-20-30-100° Multi-directional NOZZLE, tube mounting	Adjustable EOAT gripper, Attachment of the arm by clamping on a D20 L 100 mm tube, features a multi-directional clamp for tube D30 at its end	155
0000062990	GVR-20-30-150° Multi-directional NOZZLE, tube mounting	Adjustable EOAT gripper, Attachment of the arm by clamping on a D20 L 150 mm tube, features a multi-directional clamp for tube D30 at its end	173
0000062991	GVR-30-30-140° Multi-directional NOZZLE, tube mounting	Adjustable EOAT gripper, Attachment of the arm by clamping on a D30 L 140 mm tube, features a multi-directional clamp for tube D30 at its end	318
0000062992	GVR-30-30-200° Multi-directional NOZZLE, tube mounting	Adjustable EOAT gripper, Attachment of the arm by clamping on a D30 L 200 mm tube, features a multi-directional clamp for tube D30 at its end	352
0000062993	GVR-10-14-60° Multi-directional NOZZLE, tube mounting	Adjustable EOAT gripper, Attachment of the arm by clamping on a D10 L 60 mm tube, features a multi-directional clamp for tube D14 at its end	39
0000062994	GVR-10-14-90° Multi-directional NOZZLE, tube mounting	Adjustable EOAT gripper, Attachment of the arm by clamping on a D10 L 90 mm tube, features a multi-directional clamp for tube D14 at its end	41
0000062995	GVR-14-40-P13° Multi-directional NOZZLE, prism mounting	Adjustable EOAT gripper, Attachment of the arm by clamping on a D14 L 40 tube, features a multi-directional clamp for prism P13 at its end	x
0000062996	GVR-14-80-P13° Multi-directional NOZZLE, prism mounting	Adjustable EOAT gripper, Attachment of the arm by clamping on a D14 L 80 tube, features a multi-directional clamp for prism P13 at its end	x
0000062997	GVR-14-120-P13° Multi-directional NOZZLE, prism mounting	Adjustable EOAT gripper, Attachment of the arm by clamping on a D14 L 120 tube, features a multi-directional clamp for prism P13 at its end	x
0000062998	GVR-20-50-P22° Multi-directional NOZZLE, prism mounting	Adjustable EOAT gripper, Attachment of the arm by clamping on a D20 L 50 tube, features a multi-directional clamp for prism P22 at its end	x
0000062999	GVR-20-100-P22° Multi-directional NOZZLE, prism mounting	Adjustable EOAT gripper, Attachment of the arm by clamping on a D20 L 100 tube, features a multi-directional clamp for prism P22 at its end	x
0000063000	GVR-20-150-P22° Multi-directional NOZZLE, prism mounting	Adjustable EOAT gripper, Attachment of the arm by clamping on a D20 L 150 tube, features a multi-directional clamp for prism P22 at its end	x
0000062969	GGD-P13-5-5-10° Spring-loaded NOZZLE with fixed end cap, prism mounting	Spring-loaded nozzles 10 mm stroke with fixed end cap, nozzle connection M5 and pneumatic connection M5, joined by means of the prism P13 integrated into the body. Initial spring force 3.5N and maximum spring force 6.5N	16
0000062970	GGD-P13-5-5-30° Spring-loaded NOZZLE with fixed end cap, prism mounting	Spring-loaded nozzles 30 mm stroke with fixed end cap, nozzle connection M5 and pneumatic connection M5, joined by means of the prism P13 integrated into the body. Initial spring force 3.5N and maximum spring force 10N	19
0000062971	GGD-P13-18-18-15° Spring-loaded NOZZLE with fixed end cap, prism mounting	Spring-loaded nozzles 15 mm stroke with fixed end cap, nozzle connection G1/8 and pneumatic connection G1/8, joined by means of prism P13 integrated into the body. Initial spring force 4.5N and maximum spring force 12.5N	34
0000062972	GGD-P13-18-18-40° Spring-loaded NOZZLE with fixed end cap, prism mounting	Spring-loaded nozzles 40 mm stroke with fixed end cap, nozzle connection G1/8 and pneumatic connection G1/8, joined by means of prism P13 integrated into the body. Initial spring force 2.5N and maximum spring force 613N	37
0000062973	GGD-P22-14-18-20° Spring-loaded NOZZLE with fixed end cap, prism mounting	Spring-loaded nozzles 20 mm stroke with fixed end cap, nozzle connection G1/4 and pneumatic connection G1/8, joined by means of prism P22 integrated into the body. Initial spring force 6.5N and maximum spring force 16N	64
0000062974	GGD-P22-14-18-50° Spring-loaded NOZZLE with fixed end cap, prism mounting	Spring-loaded nozzles 50 mm stroke with fixed end cap, nozzle connection G1/4 and pneumatic connection G1/8, joined by means of prism P22 integrated into the body. Initial spring force 3.5N and maximum spring force 19N	72

## ▶ EOAT arms



+  
0000063132

## ▶ Elbows



+  
0000063107  
0000063139  
0000060660  
0000060008

## ▶ Non-rotative suspensions



+  
0000063180  
0000044936



+  
0000063181  
0000063182

Référence	Product name	Description	Weight in g
<b>EOAT arms</b>			
0000063132	MFI-A332* Heavy-duty clamp LEG, d10 mm, shank diameter d14 mm, shank diameter L120 mm, with screws	Heavy-duty clamp leg, diameter 10 mm, shank diameter 14 mm, shank length 120 mm, with screw	50
0000063107	MFI-A167* ELBOW with tightening element, d30 mm, short, with screws	Elbow with tightening element, 30 mm diameter, short, with screws	235
0000063139	MFI-A59* ELBOW with tightening element, d10 mm, average, with screws	Elbow with tightening element, 10 mm diameter, average, with screws	20
0000060660	MFI-A61* ELBOW with tightening element, d14 mm, average, with screws	Elbow with tightening element, 14 mm diameter, average, with screws	42
0000060008	MFI-A64* ELBOW with tightening element, d20 mm, average, with screws	Elbow with tightening element, 20 mm diameter, average, with screws	90
<b>Non-rotative suspensions</b>			
0000063180	VSNT1010* Non-rotative SUSPENSION with threaded body M10x1, 10 mm stroke, M5, with 2 nuts	Rotative suspension with threaded body M10x1, 10 mm stroke, M5, with 2 nuts	11
0000044936	VSRT1025* Rotative SUSPENSION with threaded body M10x1, 25 mm stroke, M5, with 2 nuts	Rotative suspension with threaded body M10x1, 25 mm-stroke, M5, with 2 nuts	16
0000063176	VSN1010* Non-rotative SUSPENSION with smooth body, d10 mm, 10 mm stroke, M5	Non-rotative suspension with smooth body, 10 mm diameter, 10 mm stroke, M5	7
0000063177	VSN1025* Non-rotative SUSPENSION with smooth body, d10 mm, 25 mm stroke, M5	Non-rotative suspension with smooth body, 10 mm diameter, 25 mm stroke, M5	11
0000063178	VSN1420* Non-rotative SUSPENSION with smooth body, d14 mm, 20 mm stroke, G1/8	Non-rotative suspension with smooth body, 14 mm diameter, 20 mm stroke, G1/8	24
0000063179	VSN1435* Non-rotative SUSPENSION with smooth body, d14 mm, 35 mm stroke, G1/8	Non-rotative suspension with smooth body, 14 mm diameter, 35 mm stroke, G1/8	33
0000063180	VSNT1010* Non-rotative SUSPENSIONS with threaded body	Non-rotative suspension with threaded body M10x1, 10 mm stroke, M5, with 2 nuts	12
0000063181	VSNTG1225* Non-rotative SUSPENSION with threaded body M12x1, 25 mm stroke, M5, with 2 nuts	Non-rotative suspension with threaded body M10x1, 25 mm stroke, M5, with 2 nuts	
0000063182	VSNTG1225* Non-rotative SUSPENSIONS with threaded body	Non-rotative suspension with threaded body M12x1, 25 mm stroke, M5, with 2 nuts	20

## ► Clamp cylinders



0000062933  
0000062934  
0000062935



0000062907  
0000062908  
0000062909  
0000062910  
0000062911



0000062918



0000062904  
0000062905  
0000062906



0000062878  
0000062879  
0000062880  
0000062881  
0000062882

Référence	Product name	Description	Weight in g
<b>Clamp cylinders</b>			
0000062878	KST-10-P13* CLAMP CYLINDER tube D10 - perpendicular	Clamp cylinder on extrusion P13 for tube D10 (prism perpendicular to tightening axis D10)	16
0000062879	KST-14-P13* CLAMP CYLINDER tube D14 - perpendicular	Clamp cylinder on extrusion P13 for tube D14 (prism perpendicular to tightening axis D10)	18
0000062880	KST-14-P22* CLAMP CYLINDER tube D14 - perpendicular	Clamp cylinder on extrusion P22 for tube D14 (prism perpendicular to tightening axis D10)	45
0000062881	KST-20-P22* CLAMP CYLINDER tube D20 - perpendicular	Clamp cylinder on extrusion P22 for tube D20 (prism perpendicular to tightening axis D10)	49
0000062882	KST-30-P22* CLAMP CYLINDER tube D30 - perpendicular	Clamp cylinder on extrusion P22 for tube D30 (prism perpendicular to tightening axis D10)	111
0000062904	KSK-10-P13-W* CLAMP CYLINDER with ball joint - D10, parallel	Clamp cylinder with ball joint, mounting on extrusion P13 (prism parallel to ball joint axis), ball joint for axis D10	27
0000062905	KSK-14-P22-W* CLAMP CYLINDER with ball joint - D14, parallel	Clamp cylinder with ball joint, mounting on extrusion P22 (prism parallel to ball joint axis), ball joint for axis D14	76
0000062906	KSK-20-P22-W* CLAMP CYLINDER with ball joint - D20, parallel	Clamp cylinder with ball joint, mounting on extrusion P22 (prism parallel to ball joint axis), ball joint for axis D20	120
0000062907	KKR-10-P13* FIXING CLAMP tube D10 90°	Fixing clamp tube D10 on extrusion P13 for 90° assembly	55
0000062908	KKR-14-P13* FIXING CLAMP tube D14 90°	Fixing clamp tube D14 on extrusion P13 for 90° assembly	21
0000062909	KKR-14-P22* FIXING CLAMP tube D14 90°	Fixing clamp tube D14 on extrusion P22 for 90° assembly	27
0000062910	KKR-20-P22* FIXING CLAMP tube D20 90°	Fixing clamp tube D20 on extrusion P22 for 90° assembly	34
0000062911	KKR-30-P22* FIXING CLAMP tube D30 90°	Fixing clamp tube D30 on extrusion P22 for 90° assembly	79
0000062912	KSD-10-P13* CLAMP CYLINDER tube D10, multi-directional, parallel to prism	Clamp cylinder on extrusion P13 for tube D10 (prism parallel to tightening axis D10).	70
0000062913	KSD-14-P13* CLAMP CYLINDER tube D14, multi-directional, parallel to prism	Clamp cylinder on extrusion P13 for tube D14 (prism parallel to tightening axis D14).	24
0000062914	KSD-14-P22* CLAMP CYLINDER tube D14, multi-directional, parallel to prism	Clamp cylinder on extrusion P22 for tube D14 (prism parallel to tightening axis D14).	X
0000062915	KSD-20-P22* CLAMP CYLINDER tube D20, multi-directional, parallel to prism	Clamp cylinder on extrusion P22 for tube D20 (prism parallel to tightening axis D20).	70
0000062916	KSD-30-P22* CLAMP CYLINDER tube D30, multi-directional, parallel to prism	Clamp cylinder on extrusion P22 for tube D30 (prism parallel to tightening axis D30).	X
0000062933	MKV-P13-8-4* JOINING COMPONENT for fixing accessories on extrusion	Connector for fixing multiple accessories on extrusion P13. Connector fixes to the extrusion with prism P13 and accessory fixes to the connector with 2xM4 center distance 8 mm.	4
0000062934	MKV-P22-10-5* JOINING COMPONENT for fixing accessories on extrusion	Connector for fixing multiple accessories on extrusion P22. Connector fixes to the extrusion with prism P22 and accessory fixes to the connector with 2xM5 center distance 10 mm.	10
0000062935	MKV-P22-20-6* JOINING COMPONENT for fixing accessories on extrusion	Connector for fixing multiple accessories on extrusion P22. Connector fixes to the extrusion with prism P22 and accessory fixes to the connector with 2xM6 center distance 20 mm.	13
0000062918	KSK-14-P13* CLAMP CYLINDER with ball joint - D14, perpendicular	Clamp cylinder with ball joint, mounting on extrusion P13 (prism perpendicular to ball joint axis), ball joint for axis D14	51



## ► Clamp cylinders



+  
0000062917  
0000062919  
0000062920



+  
0000062883  
0000062884  
0000062885  
0000062886  
0000062887



+  
0000062888  
0000062889  
0000062890  
0000062891  
0000062892  
0000062893  
0000062894  
0000062895

Référence	Product name	Description	Weight in g
<b>Clamp cylinders</b>			
0000062883	KST-10-P13-W* CLAMP CYLINDER tube D10 - fixed, parallel to prism	Clamp cylinder on extrusion P13 for tube D10 (prism parallel to tightening axis D10)	12
0000062884	KST-14-P13-W* CLAMP CYLINDER tube D14 - fixed, parallel to prism	Clamp cylinder on extrusion P13 for tube D14 (prism parallel to tightening axis D14)	20
0000062885	KST-14-P22-W* CLAMP CYLINDER tube D14 - fixed, parallel to prism	Clamp cylinder on extrusion P22 for tube D14 (prism parallel to tightening axis D14)	48
0000062886	KST-20-P22-W* CLAMP CYLINDER tube D20 - fixed, parallel to prism	Clamp cylinder on extrusion P22 for tube D20 (prism parallel to tightening axis D20)	53
0000062887	KST-30-P22-W* CLAMP CYLINDER tube D30 - fixed, parallel to prism	Clamp cylinder on extrusion P22 for tube D30 (prism parallel to tightening axis D30)	109
0000062888	KSV-10-60-P13* CLAMP CYLINDER - prism P13 L60 D10	Clamp cylinder for profile P13 with prism P13 integrated L60 with clamp D10 on one end	32
0000062889	KSV-10-140-P13* CLAMP CYLINDER - prism P13 L140 D10	Clamp cylinder for profile P13 with prism P13 integrated L140 with clamp D10 on one end	61
0000062890	KSV-14-70-P13* CLAMP CYLINDER - prism P13 L70 D14	Clamp cylinder for profile P13 with prism P13 integrated L70 with clamp D14 on one end	36
0000062891	KSV-14-150-P13* CLAMP CYLINDER - prism P13 L150 D14	Clamp cylinder for profile P13 with prism P13 integrated L150 with clamp D14 on one end	66
0000062892	KSV-14-70-P22* CLAMP CYLINDER - prism P22 L70 D14	Clamp cylinder for profile P22 with prism P22 integrated L70 with clamp D14 on one end	54
0000062893	KSV-14-160-P22* CLAMP CYLINDER - prism P22 L160 D14	Clamp cylinder for profile P22 with prism P22 integrated L160 with clamp D14 on one end	116
0000062894	KSV-20-80-P22* CLAMP CYLINDER - prism P22 L80 D20	Clamp cylinder for profile P22 with prism P22 integrated L80 with clamp D20 on one end	67
0000062895	KSV-20-180-P22* CLAMP CYLINDER - prism P22 L180 D20	Clamp cylinder for profile P22 with prism P22 integrated L180 with clamp D20 on one end	118
0000062896	KSV-D-10-10-60-P13* CLAMP CYLINDER double-prism P13 D10 60mm	Clamp cylinder for profile P13 with prism P13 integrated and with 2 clamps possible D10 +D10 at ends center distance 60 mm	34
0000062897	KSV-D-10-10-100-P13* CLAMP CYLINDER double-prism P13 D10 100mm	Clamp cylinder for profile P13 with prism P13 integrated and with 2 clamps possible D10 +D10 at ends center distance 100 mm	49
0000062898	KSV-D-14-14-80-P13* CLAMP CYLINDER double-prism P13 D14 80mm	Clamp cylinder for profile P13 with prism P13 integrated and with 2 clamps possible D14 +D14 at ends center distance 80 mm	41
0000062899	KSV-D-14-14-120-P13* CLAMP CYLINDER double-prism P13 D14 120mm	Clamp cylinder for profile P13 with prism P13 integrated and with 2 clamps possible D14 +D14 at ends center distance 120 mm	55
0000062900	KSV-D-14-14-100-P22* CLAMP CYLINDER double-prism P22 D14 100mm	Clamp cylinder for profile P22 with prism P22 integrated and with 2 clamps possible D14 +D14 at ends center distance 100 mm	80
0000062901	KSV-D-14-14-140-P22* CLAMP CYLINDER double-prism P22 D14 140mm	Clamp cylinder for profile P22 with prism P22 integrated and with 2 clamps possible D14 +D14 at ends center distance 140 mm	107
0000062902	KSV-D-20-20-120-P22* CLAMP CYLINDER double-prism P22 D20 120mm	Clamp cylinder for profile P22 with prism P22 integrated and with 2 clamps possible D20 +D20 at ends center distance 120 mm	93
0000062903	KSV-D-20-20-160-P22* CLAMP CYLINDER double-prism P22 D20 160mm	Clamp cylinder for profile P22 with prism P22 integrated and with 2 clamps possible D20 +D20 at ends center distance 160 mm	118
0000062917	KSK-10-P13* CLAMP CYLINDER with ball joint - D10, perpendicular	Clamp cylinder with ball joint, mounting on extrusion P13 (prism perpendicular to ball joint axis), ball joint for axis D10	27
0000062919	KSK-14-P22* CLAMP CYLINDER with ball joint - D14, perpendicular	Clamp cylinder with ball joint, mounting on extrusion P22 (prism perpendicular to ball joint axis), ball joint for axis D14	76
0000062920	KSK-20-P22* CLAMP CYLINDER with ball joint - D20, perpendicular	Clamp cylinder with ball joint, mounting on extrusion P22 (prism perpendicular to ball joint axis), ball joint for axis D20	132

## ► Clamp cylinders



0000062921  
0000062922  
0000062923  
0000062924  
0000062925  
0000062926  
0000062927  
0000062928  
0000062929  
0000062930  
0000062931  
0000062932

Référence	Product name	Description	Weight in g
0000062921	KSV-K-P13-10-30-V* CLAMP with ball joint	Clamp with ball joint	
0000062922	KSV-K-P13-10-60-V* CLAMP with ball joint	Clamp with ball joint	
0000062923	KSV-K-P13-10-90-V* CLAMP with ball joint	Clamp with ball joint	
0000062924	KSV-K-P13-14-30-V* CLAMP with ball joint	Clamp with ball joint	
0000062925	KSV-K-P13-14-60-V* CLAMP with ball joint	Clamp with ball joint	
0000062926	KSV-K-P13-14-90-V* CLAMP with ball joint	Clamp with ball joint	
0000062927	KSV-K-P22-14-50-V* CLAMP with ball joint	Clamp with ball joint	
0000062928	KSV-K-P22-14-100-V* CLAMP with ball joint	Clamp with ball joint	
0000062929	KSV-K-P22-14-150-V* CLAMP with ball joint	Clamp with ball joint	
0000062930	KSV-P22-K-20-50-V* CLAMP with ball joint	Clamp with ball joint	
0000062931	KSV-P22-K-20-100-V* CLAMP with ball joint	Clamp with ball joint	
0000062932	KSV-P22-K-20-150-V* CLAMP with ball joint	Clamp with ball joint	

## ► Nozzles ► AGS nozzles

Our nozzles allow you to mount all types of vacuum cups according to your need.



0000062945  
0000062946  
0000062947  
0000062948  
0000062949  
0000062950  
0000062951



0000062952  
0000062953  
0000062954  
0000062955  
0000062956

Référence	Product name	Description	Weight in g
<b>Nozzles</b>			
0000062945	GGB-G-10-5-5-60° Fixed NOZZLE with swivelling end cap	Fixed nozzle with swivelling end cap for adjusting the nozzle angle, nozzle connection M5 and pneumatic connection M5, joined by means of its threaded body M10x1 L60	23
0000062946	GGB-G-10-5-5-90° Fixed NOZZLE with swivelling end cap	Fixed nozzle with swivelling end cap for adjusting the nozzle angle, nozzle connection M5 and pneumatic connection M5, joined by means of its threaded body M10x1 L90	25
0000062947	GGB-G-14-18-18-80° Fixed NOZZLE with swivelling end cap	Fixed nozzle with swivelling end cap for adjusting the nozzle angle, nozzle connection G1/8 and pneumatic connection G1/8, joined by means of threaded body M14x1 L80	49
0000062948	GGB-G-14-18-18-120° Fixed NOZZLE with swivelling end cap	Fixed nozzle with swivelling end cap for adjusting the nozzle angle, nozzle connection G1/8 and pneumatic connection G1/8, joined by means of threaded body M10x1 L120	55
0000062949	GGB-G-20-14-18-50° Fixed NOZZLE with swivelling end cap	Fixed nozzle with swivelling end cap for adjusting the nozzle angle, nozzle connection G1/4 and pneumatic connection G1/8, joined by means of threaded body M20x1 L50	78
0000062950	GGB-G-20-14-18-100° Fixed NOZZLE with swivelling end cap	Fixed nozzle with swivelling end cap for adjusting the nozzle angle, nozzle connection G1/4 and pneumatic connection G1/8, joined by means of threaded body M20x1 L100	91
0000062951	GGB-G-20-14-18-150° Fixed NOZZLE with swivelling end cap	Fixed nozzle with swivelling end cap for adjusting the nozzle angle, nozzle connection G1/4 and pneumatic connection G1/8, joined by means of threaded body M20x1 L150	102
0000062952	GGD-LS-10-5-5-10° Spring-loaded NOZZLE with fixed end cap	Spring-loaded nozzles 10 mm stroke with fixed end cap, nozzle connection M5 and pneumatic connection M5, joined by means of its smooth body D10. Initial spring force 3.5 N and maximum spring force 6.5 N	10
0000062953	GGD-LS-14-18-5-15° Spring-loaded NOZZLE with fixed end cap	Spring-loaded nozzles 15 mm stroke with fixed end cap, nozzle connection G1/8 and pneumatic connection M5, joined by means of its smooth body D14. Initial spring force 4.5 N and maximum spring force 12.5 N	28
0000062954	GGD-LS-14-18-5-40° Spring-loaded NOZZLE with fixed end cap	Spring-loaded nozzles 40 mm stroke with fixed end cap, nozzle connection G1/8 and pneumatic connection M5, joined by means of its smooth body D14. Initial spring force 2.5 N and maximum spring force 13 N	31
0000062955	GGD-LS-20-14-18-20° Spring-loaded NOZZLE with fixed end cap	Spring-loaded nozzles 20 mm stroke with fixed end cap, nozzle connection G1/4 and pneumatic connection G1/8, joined by means of its smooth body D20. Initial spring force 6.5 N and maximum spring force 16 N	64
0000062956	GGD-LS-20-14-18-50° Spring-loaded NOZZLE with fixed end cap	Spring-loaded nozzles 50 mm stroke with fixed end cap, nozzle connection G1/4 and pneumatic connection G1/8, joined by means of its smooth body D20. Initial spring force 3.5 N and maximum spring force 19 N	65
0000062957	GGD-G-10-5-5-10° Spring-loaded NOZZLE with fixed end cap	Spring-loaded nozzles 10 mm stroke with fixed end cap, nozzle connection M5 and pneumatic connection M5, joined by means of its threaded body M10x1. Initial spring force 3.5 N and maximum spring force 6.5 N	16
0000062958	GGD-G-10-5-5-30° Spring-loaded NOZZLE with fixed end cap	Spring-loaded nozzles 30 mm stroke with fixed end cap, nozzle connection M5 and pneumatic connection M5, joined by means of its threaded body M10x1. Initial spring force 3.5 N and maximum spring force 10 N	19
0000062959	GGD-G-14-18-18-15° Spring-loaded NOZZLE with fixed end cap	Spring-loaded nozzles 15 mm stroke with fixed end cap, nozzle connection G1/8 and pneumatic connection G1/8, joined by means of its threaded body M14x1. Initial spring force 4.5 N and maximum spring force 12.5 N	57
0000062960	GGD-G-14-18-18-40° Spring-loaded NOZZLE with fixed end cap	Spring-loaded nozzles 40 mm stroke with fixed end cap, nozzle connection G1/8 and pneumatic connection G1/8, joined by means of its threaded body M14x1. Initial spring force 2.5 N and maximum spring force 13 N	39
0000062961	GGD-G-20-14-18-20° Spring-loaded NOZZLE with fixed end cap	Spring-loaded nozzles 20 mm stroke with fixed end cap, nozzle connection G1/4 and pneumatic connection G1/8, joined by means of its threaded body M20x1. Initial spring force 6.5 N and maximum spring force 16 N	62
0000062962	GGD-G-20-14-18-50° Spring-loaded NOZZLE with fixed end cap	Spring-loaded nozzles 50 mm stroke with fixed end cap, nozzle connection G1/4 and pneumatic connection G1/8, joined by means of its threaded body M20x1. Initial spring force 3.5 N and maximum spring force 19 N	70

## ► Nozzles ► AGS nozzles



0000062936  
0000062937  
0000062938  
0000062939  
0000062940  
0000062941  
0000062942  
0000062943  
0000062944

Référence	Product name	Description	Weight in g
<b>Nozzles</b>			
0000062936	GGG-G-10-5-5-60* Fixed NOZZLE	Fixed nozzle, nozzle connection M5 and pneumatic connection M5, joined by means of its threaded body M10x1 L60 mm	19
0000062937	GGG-G-10-5-5-90* Fixed NOZZLE	Fixed nozzle, nozzle connection M5 and pneumatic connection M5, joined by means of its threaded body M10x1 L90 mm	23
0000062938	GGG-G-10-18-5-60* Fixed NOZZLE	Fixed nozzles, nozzle connection G1/8 and pneumatic connection M5, joined by means of its threaded body M10x1 L60 mm	21
0000062939	GGG-G-10-18-5-90* Fixed NOZZLE	Fixed nozzles, nozzle connection G1/8 and pneumatic connection M5, joined by means of its threaded body M10x1 L90 mm	25
0000062940	GGG-G-14-18-18-80* Fixed NOZZLE	Fixed nozzles, nozzle connection G1/8 and pneumatic connection G1/8, joined using its threaded body M14x1 L80 mm	37
0000062941	GGG-G-14-18-18-120* Fixed NOZZLE	Fixed nozzles, nozzle connection G1/8 and pneumatic connection G1/8, joined using its threaded body M14x1 L120 mm	43
0000062942	GGG-G-20-14-18-50* Fixed NOZZLE	Fixed nozzles, nozzle connection G1/4 and pneumatic connection G1/8, joined using its threaded body M20x1 L50 mm	53
0000062943	GGG-G-20-14-18-100* Fixed NOZZLE	Fixed nozzles, nozzle connection G1/4 and pneumatic connection G1/8, joined using its threaded body M20x1 L100 mm	66
0000062944	GGG-G-20-14-18-150* Fixed NOZZLE	Fixed nozzles, nozzle connection G1/4 and pneumatic connection G1/8, joined using its threaded body M20x1 L150 mm	77
0000062963	GGV-G-10-5-5-10* Spring-loaded NOZZLE with swivelling end cap (not rotating)	Spring-loaded nozzle 10 mm stroke with swivelling end cap for adjusting the nozzle angle, nozzle connection M5 and pneumatic connection M5, joined by means of its threaded body M10x1	28
0000062964	GGV-G-10-5-5-30* Spring-loaded NOZZLE with swivelling end cap (not rotating)	Spring-loaded nozzle 30 mm stroke with swivelling end cap for adjusting the nozzle angle, nozzle connection M5 and pneumatic connection M5, joined by means of its threaded body M10x1	30
0000062965	GGV-G-14-18-18-15* Spring-loaded NOZZLE with swivelling end cap (not rotating)	Spring-loaded nozzle 15 mm stroke with swivelling end cap for adjusting the nozzle angle, nozzle connection G1/8 and pneumatic connection M15, joined by means of its threaded body M14x1	51
0000062966	GGV-G-14-18-18-40* Spring-loaded NOZZLE with swivelling end cap (not rotating)	Spring-loaded nozzle 40 mm stroke with swivelling end cap for adjusting the nozzle angle, nozzle connection G1/8 and pneumatic connection G1/8, joined by means of its threaded body M14x1	66
0000062967	GGV-G-20-14-18-20* Spring-loaded NOZZLE with swivelling end cap (not rotating)	Spring-loaded nozzle 20 mm stroke with swivelling end cap for adjusting the nozzle angle, nozzle connection G1/4 and pneumatic connection G1/8, joined by means of its threaded body M20x1	129
0000062968	GGV-G-20-14-18-50* Spring-loaded NOZZLE with swivelling end cap (not rotating)	Spring-loaded nozzle 50 mm stroke with swivelling end cap for adjusting the nozzle angle, nozzle connection G1/4 and pneumatic connection G1/8, joined by means of its threaded body M20x1	138

## ► Nozzles ► AGS nozzles



- AMK0000054
- AMK0000073
- AMK0000074
- AMK0000075
- AMK0000076
- AMK0000077
- AMK0000078
- AMK0000079
- AMK0000080
- AMK0000081
- AMK0000082
- AMK0000086
- AMK00000FD
- AMK00000FF



- AMK0000080
- AMK0000081
- AMK0000082



- AMK00000FD
- AMK00000FE

Reference	Product name	Description	Weight in g
<b>Nozzles</b>			
AMK0000054	FN4A * NOZZLE TIP T 4 M 5	Nozzle tip T 4 M 5 for vacuum cup size 4	2
AMK0000073	FN4B * FIXED NOZZLE T 4 M 6 Adj 15 mm	Fixed nozzle T 4 M 6 setting range 15 mm for vacuum cup size 4	9
AMK0000074	FN4C * FIXED NOZZLE T 4 M 8 Adj 10 mm	Fixed nozzle T 4 M 8x1 setting range 10 mm for vacuum cup size 4	18
AMK0000075	FN4D * FIXED NOZZLE T 4 M 8 Adj 20 mm	Fixed nozzle T 4 M 8x1 setting range 20 mm for vacuum cup size 4	21
AMK0000076	FN8A * FIXED NOZZLE T 8 M 10 Adj 15 mm	Fixed nozzle T 8 M 10x1 setting range 15 mm for vacuum cup size 8	48
AMK0000077	FN8B * FIXED NOZZLE T 8 M 10 Adj 30 mm	Fixed nozzle T 8 M 10x1 setting range 30 mm for vacuum cup size 8	56
AMK0000078	FN12A * FIXED NOZZLE T 12 M 12 Adj 20	Fixed nozzle T 12 M 12x 1.25 setting range 20 mm for vacuum cup size 12	75
AMK0000079	FN12B * FIXED NOZZLE T 12 M 12 Adj 40	Fixed nozzle T 12 M 12x1.25 setting range 40 mm for vacuum cup size 12	91
AMK0000080	SN4 * SPRING-LOADED NOZZLE T 4 M 8 C= 8	Spring-loaded nozzle T 4 M 8x1 Stroke 8 mm setting range 15 mm for vacuum cup size T4	30
AMK0000081	SN8 * SPRING-LOADED NOZZLE T 12 M 12 C= 8	Spring-loaded nozzle T 8 M 10x1 Stroke 8 mm setting range 15 mm for vacuum cup size T8	60
AMK0000082	SN12 * SPRING-LOADED NOZZLE T 12 M 12 C= 8	Spring-loaded nozzle T 12 M 12x1.25 Stroke 8 mm setting range 15 mm for vacuum cup size T12	85
AMK0000086	DU8 * SPRING-LOADED NOZZLE T 8 M 12 C= 30 mm Adj. 50 mm with sensor	Spring-loaded nozzle T 8 M 12x1.25 Stroke 30 mm setting range 50 mm with sensor for vacuum cup size T8	180
AMK00000FD	SN4L * VACUUM CUP HOLDER T 4 M 12 C= 30 mm Adj. 50 mm spring-loaded	Spring-loaded nozzle T 4 M 12x1.25 Stroke 30 mm setting range 50 mm for vacuum cup size T4	88
AMK00000FE	SN8L * NOZZLE T 8 M 12 C= 30 mm Adj. 50 mm spring-loaded	Spring-loaded nozzle T 8 M 12x1.25 Stroke 30 mm setting range 50 mm for vacuum cup size T8	108
AMK00000FF	DU4 * Spring loaded NOZZLE with sensors T4 C30	Spring-loaded nozzle T 4 M 12x1.25 Stroke 30 mm setting range 50 mm for vacuum cup size T4	160

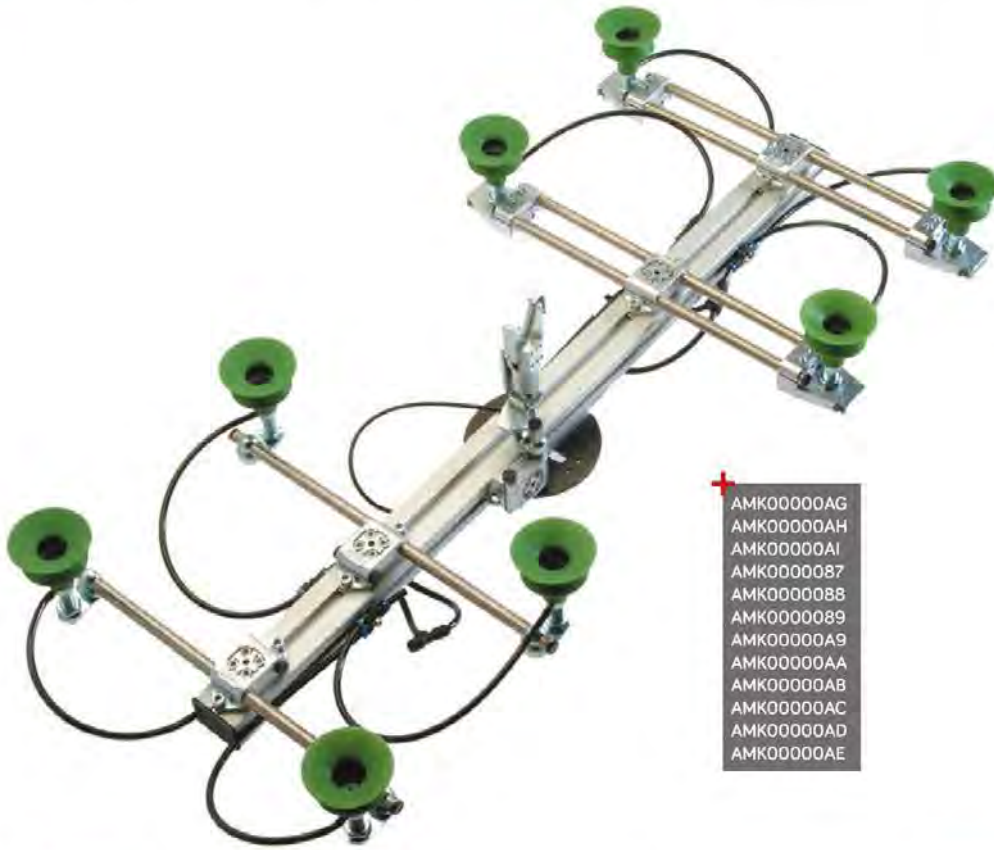
## ► Accessory holders ► Sepro Accessory holders



AMK00000B2

Référence	Product name	Description	Weight in g
<b>Accessory holders</b>			
AMK00000AF	LT1220A * ACCESSORY HOLDER BITUBE CLAMP-double-D12/D20	Bitube linking clamp-double-D20+D12 at 90° on the same plane	100
AMK00000AJ	LT1220B * ACCESSORY HOLDER BITUBE ANGLE-D12/D20	Bitube linking angle bracket 90° on the opposite plane for EOAT design using round extrusion D20+D12	143
AMK0000096	LT12A * BRACKET SUPPORT STRAIGHT D6 - on single tube D12	Linking flat nozzle FN4B on single tube clamp LT12I	24
AMK0000097	LT12B * BRACKET SUPPORT STRAIGHT D8 - on single tube D12	Linking flat nozzle FN4C/FN4D/SN4 on single tube clamp LT12I	23
AMK0000098	LT12C * BRACKET SUPPORT STRAIGHT D10 - on single tube	Linking flat nozzle FN8A/FN8B/SN8 on single tube clamp LT12I	22
AMK0000099	LT12D * BRACKET SUPPORT STRAIGHT D12 - on single tube 12	Linking flat nozzle FN12A/FN12B/SN12/SN4L/SN8L/DU4/DU8 on single tube clamp LT12I	21
AMK00000A3	LT12E * BRACKET SUPPORT ANGLE D6-on single tube D12	Linking angle bracket nozzle FN4B on single tube clamp LT12I	39
AMK00000A4	LT12F * BRACKET SUPPORT ANGLE D8-on single tube D12	Linking angle bracket nozzle FN4C/FN4D/SN4 on single tube clamp LT12I	38
AMK00000A5	LT12G * BRACKET SUPPORT ANGLE D10-on single tube D12	Linking angle bracket nozzle FN8A/FN8B/SN8 on single tube clamp LT12I	37
AMK00000A6	LT12H * BRACKET SUPPORT ANGLE D12-on single tube D12	Linking angle bracket nozzle FN12A/FN12B/SN12/SN4L/SN8L/DU4/DU8 on single tube clamp LT12I	36
AMK00000B1	LT12I * ACCESSORY HOLDER SINGLE TUBE CLAMP-simple-D12	Single tube linking clamp D12 for EOAT design using tubular D12 T12 fixing M6	32
AMK00000A7	LT12J * BRACKET SUPPORT ANGLE gripper D20-on single tube D12	Linking angle bracket for gripper D20 on single tube clamp LT12I	38
AMK00000A8	LT12K * BRACKET SUPPORT ANGLE gripper D25-on single tube D12	Linking angle bracket for gripper D25 on single tube clamp LT12I	37
AMK00000A1	LT12L * BRACKET SUPPORT STRAIGHT gripper D20 - on single tube D12	Linking flat for gripper D20 on single tube clamp LT12I	22
AMK00000A2	LT12M * BRACKET SUPPORT STRAIGHT gripper D25-on single tube D12	Linking flat for gripper D20 on single tube clamp LT12I	21
AMK0000090	LT6A * BRACKET SUPPORT D6 on single tube 6 x 6	Linking flat nozzle FN4B on single tube clamp LT6E	7
AMK0000091	LT6B * BRACKET SUPPORT STRAIGHT D8 on single tube 6 x 6	Linking flat nozzle FN4C/FN4D/SN4 on single tube clamp LT6E	7
AMK0000093	LT6C * BRACKET SUPPORT ANGLE D6 on single tube 6 x 6	Linking angle bracket FN4B on single tube clamp LT6E	11
AMK0000094	LT6D * BRACKET SUPPORT ANGLE D8 on single tube 6 x 6	Linking angle bracket FN4C/FN4C/SN4 on single tube clamp LT6E	10
AMK00000B3	LT6E * ACCESSORY HOLDER SINGLE TUBE CLAMP 6 x 6	Accessory holder single tube clamp 6 x 6	11
AMK0000092	LT6F * BRACKET SUPPORT STRAIGHT - Gripper D20 on SINGLE TUBE 6 x 6	Linking flat for gripper D20 on single tube clamp LT6E	8
AMK0000095	LT6G * BRACKET SUPPORT ANGLE Gripper D20 on SINGLE TUBE 6 x 6	Linking angle bracket for gripper D20 on single tube clamp LT6E	13
AMK00000B2	L2T12A * ACCESSORY HOLDER SINGLE TUBE CLAMP-double-D12	Single tube linking clamp-double-2xD12 at 90° on the same plane fixing M6	73

## ► Accessory holders ► Sepro Accessory holders



+  
AMK00000AQ  
AMK00000AR  
AMK00000AS



+  
AMK00000BL

+  
AMK00000AG  
AMK00000AH  
AMK00000AI  
AMK0000087  
AMK0000088  
AMK0000089  
AMK00000A9  
AMK00000AA  
AMK00000AB  
AMK00000AC  
AMK00000AD  
AMK00000AE

Référence	Product name	Description	Weight in g
<b>Accessory holders</b>			
AMK00000AG	L2T20B * ACCESSORY HOLDER BITUBE CLAMP-double-D20	Bitube linking clamp 90° 2XD20 on the same plane for EOAT design using round extrusion D20	122
AMK00000AH	L2T12E * ACCESSORY HOLDER BITUBE ANGLE-6x6/D12	Bitube linking angle bracket 90° on the opposite plane for EOAT design using round extrusion D12 horizontal + square extrusion 6x6 vertical	44
AMK00000AI	L2T12G * ACCESSORY HOLDER BITUBE ANGLE-D12	Bitube linking angle bracket 90° on the opposite plane for EOAT design using round extrusion D12 horizontal + D12 vertical	69
AMK0000087	L2T6D * BRACKET SUPPORT ANGLE D6-on bitube 6x6	Linking angle bracket FN4B on bitube clamp L2T6A and linking bracket 2 bi-tube clamp L2T6A at 90°	23
AMK0000088	L2T6B * BRACKET SUPPORT STRAIGHT D6 on bitube 6x6	Linking flat nozzle FN4B on bitube clamp L2T6A	17
AMK0000089	L2T6C * BRACKET SUPPORT STRAIGHT D8-on bitube 6x6	Linking flat nozzle FN4C/FN4D/SN4 on bitube clamp L2T6A	16
AMK00000A9	L2T6A * ACCESSORY HOLDER BITUBE CLAMP-simple-6x6 y	Bitube linking clamp-simple-for EOAT design using tubular extrusion 6x6 T6	8
AMK00000AA	L2T12B * ACCESSORY HOLDER BITUBE CLAMP-simple-D12-L20	Bitube linking clamp-simple-on the same plane for EOAT design using tubular extrusion D12 L20 narrow clamping	16
AMK00000AB	L2T12C * ACCESSORY HOLDER BITUBE CLAMP-simple-D12-L35	Bitube linking clamp-simple-on the same plane for EOAT design using tubular extrusion D12 L35 average clamping	26
AMK00000AC	L2T12D * ACCESSORY HOLDER BITUBE CLAMP-simple-D12-L50	Bitube linking clamp-simple-on the same plane for EOAT design using tubular extrusion D12 L50 wide clamping	27
AMK00000AD	L2T20A * ACCESSORY HOLDER BITUBE CLAMP-simple-D20-L75	Bitube linking clamp-simple-on the same plane for EOAT design using tubular extrusion D20 wide clamping	91
AMK00000AE	L2T12F * ACCESSORY HOLDER BITUBE CLAMP-double-D12	Bitube linking angle bracket 90° on the same plane for EOAT design using round extrusion D12	37
AMK00000AQ	BL8 * ACCESSORY HOLDER BALL JOINT M8	Linking ball axis D8 E22 for nozzle FN4C/FN4D/SN4	13
AMK00000AR	BL10 * ACCESSORY HOLDER BALL JOINT M10	Linking ball axis D10 E22 for nozzle FN8A/FN8B/SN8	12
AMK00000AS	BL12 * ACCESSORY HOLDER BALL JOINT M12	Linking ball axis D12 E22 for nozzle FN12A/FN12B/SN12/SN4L/SN8L/DU8/DU4	11
AMK00000BL	SG25 * ACCESSORY HOLDER BALL JOINT-on bitube D12 + screw	Clamp with ball joint on bitube EOAT in tube 12 for ball BL8/BL10/BL12/BL20/BL25	65
AMK00000DK	BL20 * ACCESSORY HOLDER BALL JOINT D20	Linking ball axis D20 E22 for gripper D20	6
AMK00000DL	BL25 * ACCESSORY HOLDER BALL JOINT D25	Linking ball axis D25 T16 for nozzle D25 AND FINGER GRIPPER GF90/GF30	2

## ► Accessory holders ► Sepro Accessory holders



AMK0000025  
AMK0000038



AMK00000AK



AMK00000BJ  
AMK00000BK

## ► Adapters for nippers



0000063042  
0000063045  
0000063047

Référence	Product name	Description	Weight in g
<b>Accessory holders</b>			
AMK0000025	SG20L * ACCESSORY HOLDER gripper D20	Holder for gripper D20 with mounting M12x1 for accessory BL12/SV12/LT12D/LT12H	36
AMK0000038	SG25L * ACCESSORY HOLDER gripper D25	Holder for gripper D25 with mounting M12x1 for accessory BL12/SV12/LT12D/LT12H	66
AMK00000AK	SV8 * BRACKET SUPPORT- D8-on bitube D12	Fixed linking clamp on bitube EOAT in tube 12 for nozzle FN4C/FN4D/SN4	91
AMK00000AL	SV10 * BRACKET SUPPORT D10-on bitube D12	Fixed linking clamp D10 on bitube EOAT in tube 12 for nozzle FN8A/FN8B/SN8	90
AMK00000AM	SV12 * BRACKET SUPPORT -D12-on bitube D12	Fixed linking clamp D12 on bitube EOAT in tube 12 for nozzle FN12A/FN12B/SN12/SN4L/SN8L/DU4/DU8	89
AMK00000BJ	SG20 * ACCESSORY HOLDER -grripper D20-on bitube D12 + screw	Fixed linking clamp on bitube EOAT D12 + screw for gripper D20	81
AMK00000BK	SG25 * ACCESSORY HOLDER gripper D25-on bitube D12 + screw	Fixed linking clamp on bitube EOAT D12 + screw for gripper D25	76
<b>Adapters for nippers</b>			
0000063042	AAS-10* ADAPTER for fixing ANS-10 nipper	Adapter for fixing ANS 10 nipper, can be axis mounted diameter 20 length 50	62
0000063045	AAS-20* ADAPTER for fixing ANS-20 nipper	Adapter for fixing ANS-20 nipper, can be axis mounted diameter 20 length 50	61
0000063047	AAS-30* ADAPTER for fixing ANS-20 nipper	Adapter for fixing ANS-30 nipper, can be axis mounted diameter 20 length 50	59



## ► Adapters for grippers



0000063023  
0000063024  
0000063025



0000063033  
0000063034  
0000063035  
0000063036  
0000063037

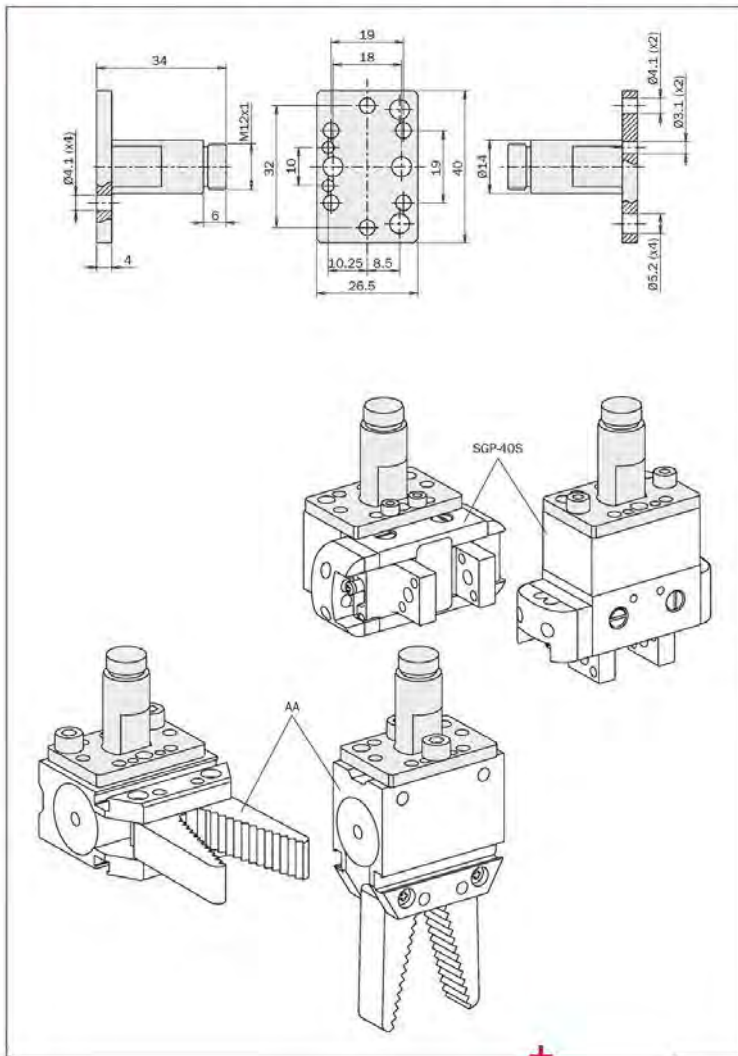
## ► Bracket



0000063029  
0000063030  
0000063031  
0000063032

Référence	Product name	Description	Weight in g
<b>Adapters for grippers</b>			
0000063023	APG-20-10-30* ADAPTER for parallel-jaw gripper	Adapter for parallel-jaw gripper PAG-MPG+20, can be axis mounted, diameter 10, length 30	10
0000063024	APG-25-14-40* ADAPTER for parallel-jaw gripper	Adapter for parallel-jaw gripper PAG-MPG+25, can be axis mounted, diameter 14, length 40	16
0000063025	APG-32-14-40* ADAPTER for parallel-jaw gripper	Adapter for parallel-jaw gripper PAG-MPG+32, can be axis mounted, diameter 14, length 40	23
0000063033	APG-MPG+20-P13* ADAPTER for MPG gripper	Adapter Schunk MPG+20 gripper for P13 connector	8
0000063034	APG-MPG+25-P13* ADAPTER for MPG gripper	Adapter Schunk MPG+25 gripper for P13 connector	11
0000063035	APG-MPG+32-P22* ADAPTER for MPG gripper	Adapter Schunk MPG+32 gripper for P22 connector	22
0000063036	APG-MPG+40-P22* ADAPTER for MPG gripper	Adapter Schunk MPG+40 gripper for P22 connector	29
0000063037	APG-MPG+16-P13* ADAPTER for MPG gripper	Adapter Schunk MPG+16 gripper for P13 connector	x
0000063026	HSG-10-12-P13* Jaw fixing BRACKET on GZA gripper	Jaw fixing bracket on gripper GZA-10-12-A with P13 connector	5
0000063027	HSG-14-16-P13* Jaw fixing BRACKET on GZA gripper	Jaw fixing bracket on gripper GZA-14-16-A and GZA-20-20-A with P13 connector	5
0000063028	HSG-S-20-16-P13* Jaw fixing BRACKET on GZA gripper	Jaw fixing bracket on gripper GZA-S-20-16-A with P13 connector	12
0000063029	HSP-20-P13* Jaw fixing BRACKET on PAG-MPG gripper	Jaw fixing bracket on gripper PAG-MPG+20 with P13 connector	2.2
0000063030	HSP-25-P13* Jaw fixing BRACKET on PAG-MPG gripper	Jaw fixing bracket on gripper PAG-MPG+25 with P13 connector	2.2
0000063031	HSP-32-P13* Jaw fixing BRACKET on PAG-MPG gripper	Jaw fixing bracket on gripper PAG-MPG+32 with P13 connector	2.9
0000063032	HSP-40-P13* Jaw fixing BRACKET on PAG-MPG gripper	Jaw fixing bracket on gripper PAG-MPG+40 with P13 connector	6.5

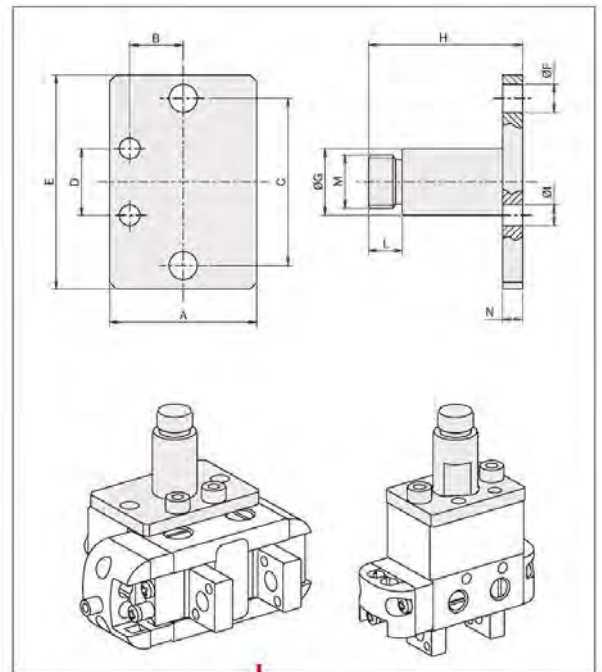
### ► Component holders ► Fixing clamps



0000063127



0000063095  
0000063096  
0000063097



0000063128  
0000063129  
0000063130



0000063137  
0000063105  
0000053836  
0000063138

Référence	Product name	Description	Weight in g
<b>Component holders</b>			
0000063095	MFI-A117* CLAMP, D12.5 mm, long, with screws	Clamp, diameter 12.5 mm, long, with screws	60
0000063096	MFI-A121* CLAMP, d10.5 mm, short, with screws	Clamp, diameter 10.5 mm, short, with screws	45
0000063097	MFI-A122* CLAMP, d12.5 mm, short, with screws	Clamp, diameter 12.5 mm, short, with screws	45
0000063105	MFI-A158* CLAMP for cross-fixing, d10 mm, with screws	Clamp for cross-fixing extrusions, 10 mm diameter, with screws	15
0000063127	MFI-A314* CLAMP for fixing AA/SGP-40S gripper, with screws	Clamp for fixing AA/SGP-40S gripper, with screws	30
0000063128	MFI-A315* CLAMP for fixing SGP-32S gripper, with screws	Clamp for fixing SGP-32S gripper, with screws	15
0000063137	MFI-A37* CLAMP for cross-fixing, d14 mm, with screws	Clamp for cross-fixing extrusions, 14 mm diameter, with screws	32
0000053836	MFI-A38* CLAMP for cross-fixing, d20 mm, with screws	Clamp for cross-fixing extrusions, 20 mm diameter, with screws	45
0000063138	MFI-A39* CLAMP for cross-fixing, d30 mm, with screws	Clamp for cross-fixing extrusions, 30 mm diameter, with screws	75
0000063129	MFI-A316* CLAMP for fixing SGP-25S gripper, with screws	Clamp for fixing SGP-25S gripper, with screws	11
0000063130	MFI-A317* CLAMP for fixing SGP-20S gripper, with screws	Clamp for fixing SGP-20S gripper, with screws	7

## ► Component holders

### ► Seals



0000063161  
0000063162



0000063159  
0000063160

### ► Connections



000023025  
0000063090  
0000051349  
0000063091



0000063120  
0000060717  
0000063121  
0000063122



0000039290  
0000063135  
0000063136

Référence	Product name	Description	Weight in g
<b>Component holders</b>			
0000063159	VAC05F05F* Angular CONNECTION, female M5, female M5	Angular connection, female M5, female M5	10
0000063160	VAC18F18F* Angular CONNECTION, female G1/8, female G1/8	Angular connection, female G1/8, female G1/8	15
0000063161	VAM18M18G* Angular CONNECTION, male G1/8	Angular connection, male G1/8	64
0000063162	VAM5M5G* Angular CONNECTION, male M5	Angular connection, male M5	28
0000039290	MFI-A350* Heavy-duty clamp-type mounting bracket with ball joint, d20 mm, with screws	Heavy-duty clamp-type mounting bracket with ball joint, 20 mm diameter, with screws	160
0000063120	MFI-A250* CLAMP with angular slot, d10 mm, with screws	Clamp with angular slot, 10 mm diameter, with screws	31
0000060717	MFI-A251* CLAMP with angular slot, d14 mm, with screws	Clamp with angular slot, 14 mm diameter, with screws	62
0000063121	MFI-A252* CLAMP with angular slot, d20 mm, with screws	Clamp with angular slot, 20 mm diameter, with screws	86
0000063122	MFI-A253* CLAMP with angular slot, d30 mm, with screws	Clamp with angular slot, 30 mm diameter, with screws	176
0000063135	MFI-A348* Heavy-duty clamp-type mounting bracket with ball joint, d10 mm, with screws	Heavy-duty clamp-type mounting bracket with ball joint, 10 mm diameter, with screws	45
0000063136	MFI-A349* Heavy-duty clamp-type mounting bracket with ball joint, d14 mm, with screws	Heavy-duty clamp-type mounting bracket with ball joint, 14 mm diameter, with screws	86
000023025	MFI-A04* CLAMP with tightening element, d10 mm, long, with screws	Clamp with tightening element, 10 mm diameter, long, with screws	23
0000063090	MFI-A06* CLAMP with tightening element, d14 mm, long, with screws	Clamp with tightening element, 14 mm diameter, long, with screws	40
0000051349	MFI-A07* CLAMP with tightening element, d20 mm, long, with screws	Clamp with tightening element, 20 mm diameter, long, with screws	55
0000063091	MFI-A08* CLAMP with tightening element, d30 mm, long, with screws	Clamp with tightening element, 30 mm diameter, long, with screws	95

## ► Component holders

### ► Extensions

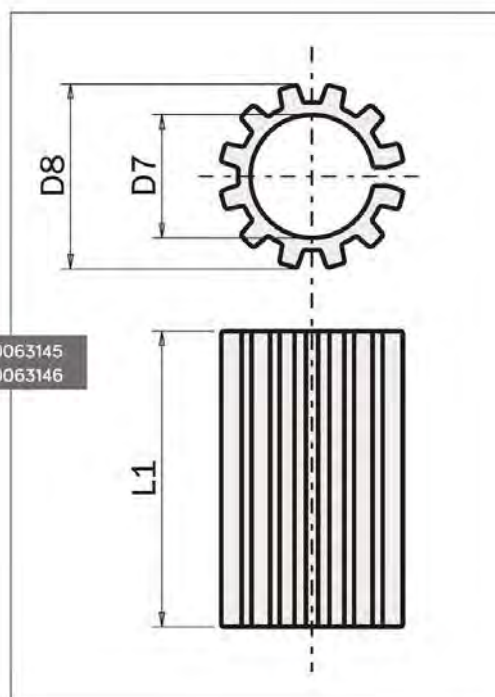


0000063103  
0000063104



0000063147  
0000060642

### ► Reducing gears



0000063145  
0000063146

Référence	Product name	Description	Weight in g
<b>Component holders</b>			
ACK0000005	RRG * RING 8 5 versilic	Ring 8x5 versilic for gripper with tightening ring: GR20-GR25-GR120-GR125	1
0000063103	MF1-A151* EXTENSION with air duct, d14 mm, long, G1/8	Extension with air duct, diameter 14 mm, long, G1/8	25
0000063104	MF1-A155* EXTENSION with air duct, d10 mm, long, M5	Extension with air duct, diameter 10 mm, long, M5	15
0000063147	OF10L60* EXTENSION, d10 mm, M8x1 thread, L60 mm	Extension, 10 mm diameter, M8x1 thread, length 60 mm	10
0000060642	OF14L80* EXTENSION, d14 mm, M12x1 thread, L80 mm	Extension, 14 mm diameter, M12x1 thread, length 80 mm	12
0000063145	MFM-A114* Aluminium ADAPTER BUSHING, d14 mm to 12 mm, L14 mm	Aluminium adapter bushing, diameter 14 mm to 12 mm, length 14 mm	2
0000063146	MFM-A116* Aluminium ADAPTER BUSHING, d30 mm to 25 mm, L30 mm	Aluminium adapter bushing, diameter 30 mm to 25 mm, length 30 mm	17

# 04

---

## → EOAT grippers and fingers

---

Mech. gripper	p 38
Needles	p 46
Fingers	p 46
Bushings	p 46



## ► Mech. gripper

### ► Grippers D20

Very simple to install, our mechanical grippers are flexible, ready to use and specially designed for use with the components in the MyGripper kit.

### ► Grippers D25



Référence	Product name	Description	Weight in g
<b>Mech. gripper</b>			
AMK0000014	G20 * GRIPPER D20 2 jaws-ribbed	Gripper D20 with 2 jaws-ribbed single action L69 W34 E20 tightening force 40 N pneumatic connection M5 max opening between jaws 15 mm	76
AMK0000015	GS20 * GRIPPER D20-2 jaws-ribbed-with sensor	Gripper D20-with 2 jaws-ribbed with sensor L69 W34 E20 tightening force 40 N pneumatic connection M5 max opening between jaws 15 mm	90
AMK0000017	G120 * GRIPPER D20 1 jaw-serrated	Gripper D20 with 1 jaw-ribbed L69 W26 E20 tightening force 40 N pneumatic connection M5 jaw stroke 11 mm	53
AMK0000018	GS120 * GRIPPER D20-1 jaw-ribbed-with sensor	Gripper D20-1 jaw-ribbed-with sensor L69 W26 E20 tightening force 40 N pneumatic connection M5 jaw stroke 11 mm	67
AMK0000021	GJ20 * GRIPPER D20 no jaws-type 1	Gripper D20 no jaws-type 1 L60 W34 E20 tightening force 40 N pneumatic connection M5	56
AMK0000022	GJ20A * GRIPPER D20 no jaws-type 2	Gripper D20 no jaws-type 2 L53 W34 E20 tightening force 40 N pneumatic connection M5	56
AMK0000027	G25 * GRIPPER D25-2 jaws-ribbed	Gripper D25 with 2 jaws-ribbed L91 W34 E25 tightening force 56 N pneumatic connection M5 max opening between jaws 28 mm	139
AMK0000028	GS25 * GRIPPER D25-2 jaws-ribbed-with sensor	Gripper D25-with 2 jaws-ribbed with sensor L91 W39 E25 tightening force 56 N pneumatic connection M5 max opening between jaws 28 mm	155
AMK0000030	G125 * GRIPPER D25-1 jaw-ribbed	Gripper D25 with 1 jaw-ribbed L92 W26 E25 tightening force 56 N pneumatic connection M5 jaw stroke 16 mm	100
AMK0000031	GS125 * GRIPPER D25-1 jaw-ribbed-with sensor	Gripper D25-1 jaw-ribbed-with sensor L92 W26 E25 tightening force 56 N pneumatic connection M5 jaw stroke 16 mm	116
AMK0000034	GJ25 * GRIPPER D25 no jaws-type 1	Gripper D25 no jaws-type 1 L78.5 W34 E25 tightening force 56 N pneumatic connection M5	100
AMK0000035	GJ25A * GRIPPER D25 no jaws-type 2	Gripper D25 no jaws-type 2 L72 W64 E25 tightening force 56 N pneumatic connection M5	105



## ▶ Mech. gripper

### ▶ Grippers D20

### ▶ Grippers D25



▶ Grippers D20

AMK0000016  
AMK0000019



▶ Grippers D20

AMK0000026

▶ Grippers D25

AMK0000029  
AMK0000032  
AMK0000039  
AMK00000DI  
AMK00000DJ

Référence	Product name	Description	Weight [g]
<b>Mech. gripper</b>			
AMK0000016	GR20 * GRIPPER D20 2 jaws-with ring	Gripper D20 -with 2 jaws-with ring L69 W34 E20 tightening force 40 N pneumatic connection M5 max opening between jaws 15 mm	72
AMK0000019	GR120 * GRIPPER D20 with 1 jaw-with ring	Gripper D20 with 1 jaw-with ring L69 W26 E20 tightening force 40 N pneumatic connection M5 jaw stroke 11 mm	49
AMK0000026	SPG20 * GRIPPER on gripper D20	Gripper on gripper D20 L69 W34 E20 tightening force 40N pneumatic connection M5 jaw stroke 11 mm	3
AMK0000029	GR25 * GRIPPER D25 2 jaws-with ring	Gripper D25 -with 2 jaws-with ring L91 W34 E25 tightening force 56 N pneumatic connection M5 max opening between jaws 28 mm	134
AMK0000032	GR125 * GRIPPER D25 with 1 jaw-with ring	Gripper D25 with 1 jaw-with ring L92 W26 E25 tightening force 56 N pneumatic connection M5 jaw stroke 16 mm	95
AMK0000039	SPG25 * GRIPPER on gripper D25	Gripper on gripper D25 L91 W40 E25 tightening force 56 N pneumatic connection M5 jaw stroke 28 mm	5
AMK00000DI	GV20 * GRIPPER-1 jaw-nozzle T4 M6 D20	Gripper-1 jaw-Nozzle FN4B T4 M6 D20 L63 E20 pneumatic connection M5	60
AMK00000DJ	GV25 * GRIPPER 1 jaw-nozzle T4 M6 D25	Gripper-1 jaw-Nozzle FN4B T4 M6 D25 L80 E25 pneumatic connection M5	108

## ► Mech. gripper

### ► Angle grippers



+  
0000063015  
0000063016  
0000063018



+  
0000063017  
0000063019



+  
0000063020



+  
0000063021



+  
0000063022

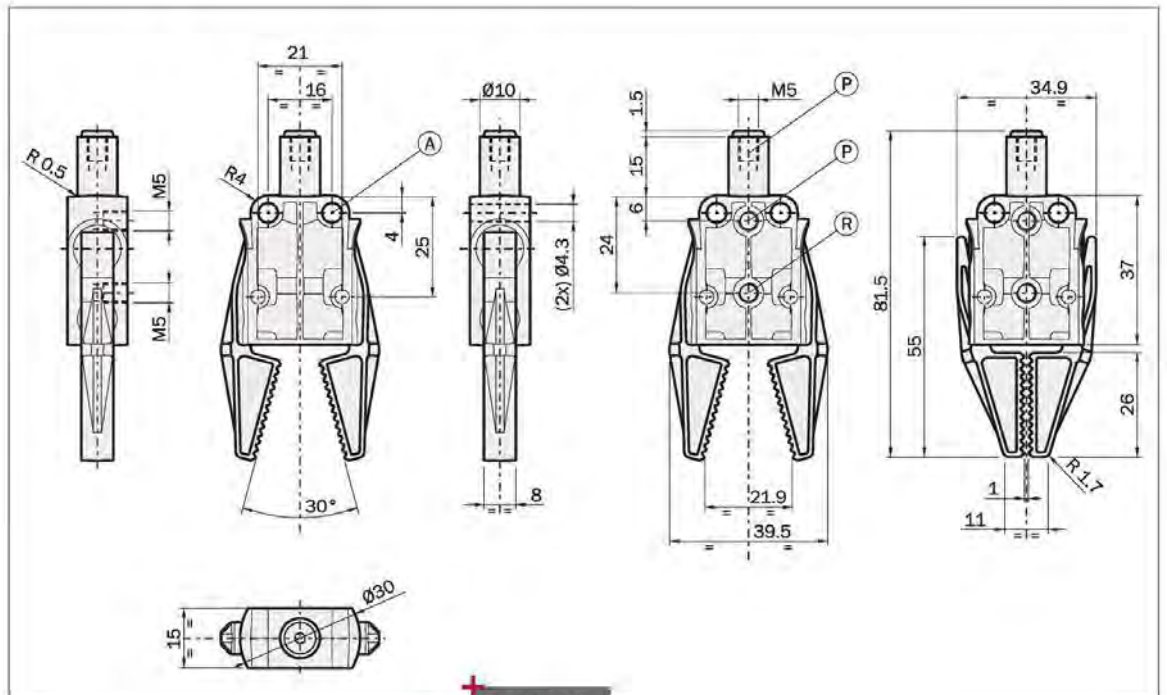
### ► AGS needle grippers

Référence	Product name	Description	Weight In g
<b>Mech. gripper</b>			
0000063015	GZA-10-8-P13* GRIPPER with 2 angular jaws for prism	Gripper with 2 angular jaws, single-action, for prismatic extrusion P13, space between jaws 8 mm, closing force 12N, air connection M5 and possibility of fixing on a side with a prism P13 or on an axis of diameter 10 perpendicular to the prism P13, for sprue grip diameter 0.5-3 mm	15
0000063016	GZA-10-12-P13* GRIPPER with 2 angular jaws for prism	Gripper with 2 angular jaws, single-action, for prismatic extrusion P13, space between jaws 19 mm closing force 20 N, air connection M5 and possibility of fixing on a side with a prism P13 or on an axis of diameter 10 perpendicular to the prism P13, for sprue grip diameter 1.5-6 mm	40
0000063017	GZA-10-12-P13-A* GRIPPER without angular jaws for prism	Gripper without angular jaws, single-action, for prismatic extrusion P13, closing force 40 N, air connection M5 and possibility of fixing on a side with a prism P13 or on an axis of diameter 10 perpendicular to the prism P13, for sprue grip diameter 1.5-6 mm.	33
0000063018	GZA-14-16-P13* GRIPPER with 2 angular jaws for prism	Gripper with 2 angular jaws, single-action, for prismatic extrusion P13, space between jaws 21 mm closing force 55 N, air connection M5 and possibility of fixing on a side with a prism P13 or on an axis of diameter 14 perpendicular to the prism P13, for sprue grip diameter 2.5-8 mm	77
0000063019	GZA-14-16-P13-A* GRIPPER without angular jaws for prism	Gripper without angular jaws, single-action, for prismatic extrusion P13, closing force 100 N, air connection M5 and possibility of fixing on a side with a prism P13 or on an axis of diameter 14 perpendicular to the prism P13, for sprue grip diameter 2.5-8mm	72
0000063020	GZA-14-16-C-S* GRIPPER with 2 angular jaws for prism, with sensor	Gripper with 2 angular jaws, single-action, with sensor, for prismatic extrusion P13, space between jaws 18 mm closing force 55 N, air connection M5 and possibility of fixing on a side with a prism P13 or on an axis of diameter 14 perpendicular to the prism P13, for sprue grip diameter 2.5-8 mm	80
0000063021	GZA-14-16-S-C-S* 2-jaw GRIPPER -saw jaw and sensor	Gripper with 2 jaws, one jaw with saw teeth and one with a sensor, for prismatic extrusion P13, closing force 55 N, air connection M5 and possibility of fixing on a side with a prism P13 or on an axis of diameter 14 perpendicular to the prism P13, for sprue grip diameter 2.5--8mm	80
0000063022	GZA-14-16-P* GRIPPER with 2 angular jaws for prism, polyurethane insert	Gripper with 2 angular jaws with polyurethane insert for prismatic extrusion P13, space between jaws 18 mm closing force 55 N, air connection M5 and possibility of fixing on a side with a prism P13 or on an axis of diameter 14 perpendicular to the prism P13, for sprue grip diameter 2.5-8 mm	83
0000063041	NAG-8-10* Needle GRIPPER, 8 needles	Needle gripper with 8 needles	X





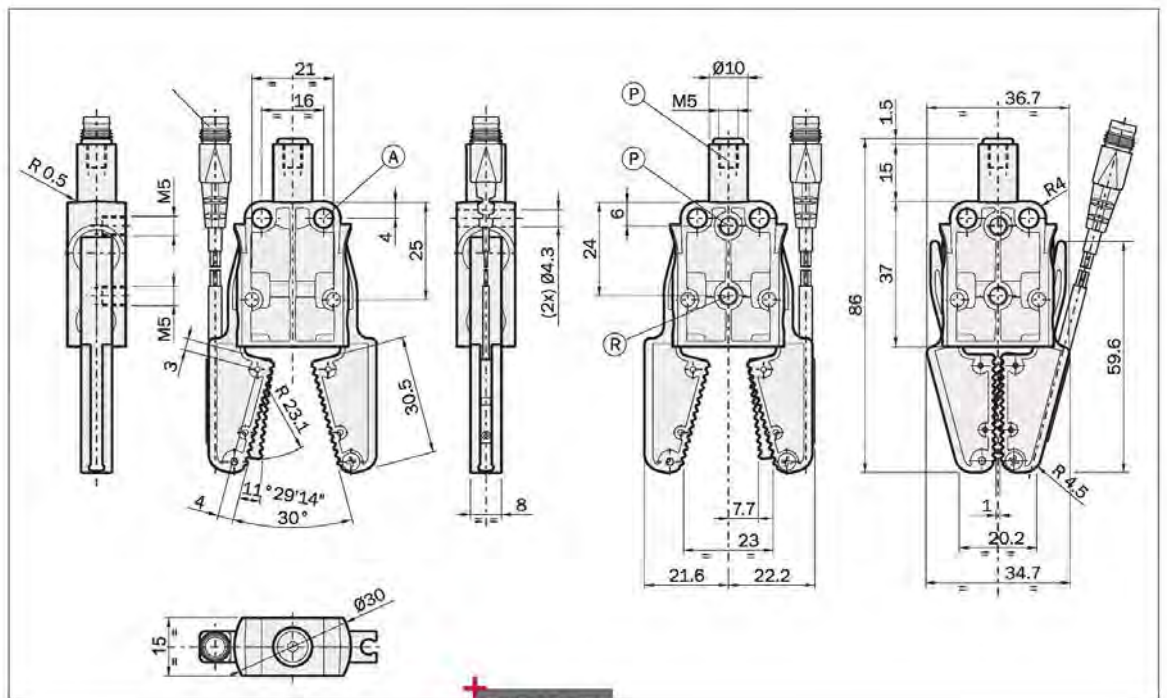
## ► Mech. gripper ► Angle grippers



0000016666



0000063062



AC00003298

Référence	Product name	Description	Weight mg
<b>0000016666</b>	BB-12-NO* Pneum angle GRIPPER, non self-centering, NO	Pneumatic angle gripper, non self-centering, normally open, 2.5/8 Bar, M5	77
<b>AC00003298</b>	BB-13-NO* Angle gripper, non self-centering, single-action + sensor	Pneumatic angle gripper, non self-centering, normally open, 2.5/8 Bar, M5, SS3N203-G sensor, 0.9 mm key	91
<b>0000063062</b>	DD20-16M* Pneum angle GRIPPER, self-centering, SS3N203Y-1 sensor	Pneumatic angle gripper, self-centering, single-action spring-activated opening, high tightening force, steel jaws, 2.5/8 Bar, M5, sensor SS3N203Y-1, 0.9 mm key	165

## ► Mech. gripper ► Angle grippers



0000063063



0000056959

Reference	Product name	Description	Weight in g
<b>Mech. gripper</b>			
0000063063	DD20-16R* Pneum angle GRIPPER, self-centering	Pneumatic angle gripper, non self-centering, single-action spring-activated opening, high tightening force, steel jaws, 2.5/8 Bar, M5, HNBR buffer	160
0000056959	DD20-16P* Pneum angle GRIPPER, self-centering, HNBR buffer	Pneumatic angle gripper, non self-centering, single-action spring-activated opening, high tightening force, steel jaws, 2.5/8 Bar, M5	165



## ► Mech. gripper ► Angle grippers



+ 0000044940



+ 0000056212



+ 0000063150

Référence	Product name	Description	Weight in g
<b>0000044940</b>	PB-0014* Pneum angle GRIPPER, non self-centering	Pneumatic angle gripper, non self-centering, 2.5/8 Bar, M5	50
<b>0000056212</b>	PB-0013* Pneum angle GRIPPER, non self-centering, SS3N203-G sensor	Pneumatic angle gripper, non self-centering, 2.5/8 Bar, M5, SS3N203-G sensor, 0.9 mm key	55
<b>0000063150</b>	PB-0140* Pneum angle GRIPPER, non self-centering	Pneumatic angle gripper, non self-centering, 2.5/8 Bar, M5	75

## ► Mech. gripper ► Angle grippers



+ 000023026



+ 0000023027



+ APP2056201



+ 0000063149



+ 0000060038



+ 0000063151

Référence	Product name	Description	Weight in g
<b>Mech. gripper</b>			
0000023027	PB-0187* Angle gripper, non self-centering	Pneumatic angle gripper, non self-centering, 2.5/8 Bar, M5, SS3N203-G sensor, 0.9 mm key, feeler, HNBR buffer	57
0000060038	PB-0017* Pneum angle GRIPPER, non self-centering, customizable jaws	Pneumatic angle gripper, non self-centering, 2.5/8 Bar, M5, customizable jaws	45
0000063149	PB-0015* Pneum angle GRIPPER, non self-centering	Pneumatic angle gripper, non self-centering, 2.5/8 Bar, M5	50
0000063151	PB-0180* Pneum angle GRIPPER, non self-centering, SS3N203-G sensor, steel feeler	Pneumatic angle gripper, non self-centering, 2.5/8 Bar, M5, SS3N203-G sensor, 0.9 mm key, steel feeler	60
000023026	PB-0170* Pneum angle GRIPPER, non self-centering, HNBR buffer	Pneumatic angle gripper, non self-centering, 2.5/8 Bar, M5, HNBR buffer	50
APP2056201	PB-0008* Pneum angle GRIPPER, non self-centering	Pneumatic angle gripper, non self-centering, 2.5/8 Bar, M5	15



## ▶ Mech. gripper

## ▶ Parallel grippers



+  
000039392



+  
000044633



+  
0000063157



+  
0000063158

## ▶ Grippers for engagement

## ▶ GIMATIC needle grippers



+  
ACP2285804



+  
0000023172



+  
0000038500



+  
0000063152

Référence	Product name	Description	Weight in g
<b>Mech. gripper</b>			
000039392	SGP-25S* Pneum parallel GRIPPER, self-centering, 2/8 Bar, M3, with sleeves	Pneumatic parallel gripper, self-centering, 2/8 Bar, M3, with sleeves	43
000044633	SGP-32S* Pneum parallel GRIPPER, self-centering, 2/8 Bar, M3/M5, with sleeves	Pneumatic parallel gripper, self-centering, 2/8 Bar, M3/M5, with sleeves	86
0000063157	SGP-20S* Pneum parallel GRIPPER, self-centering, 2/8 Bar, M3, with sleeves	Pneumatic parallel gripper, self-centering, 2/8 Bar, M3, with sleeves	33
0000063158	SGP-40S* Pneum parallel GRIPPER, self-centering, 2/8 Bar, M3/M5, with sleeves	Pneumatic parallel gripper, self-centering, 2/8 Bar, M3/M5, with sleeves	170
ACP2285804	AGG21-B* Double action GRIPPER for engagement, d20 mm, 4-8 Bar, M3	Double action gripper for engagement, 20 mm diameter, 4-8 Bar, M3	115
ACP2310405	AGG19-B* Single action GRIPPER for engagement, d20 mm, 2/8 Bar, M5	Single action gripper for engagement, 20 mm diameter, 2/8 Bar, M5	85
0000023172	AGG30-B* Double action GRIPPER for engagement, d30 mm, 4.5/8 Bar, M5	Double action gripper for engagement, 30 mm diameter, 4.5/8 Bar, M5	390
0000038500	PT25* Pneum needle GRIPPER, self-centering, through hole, 4 needles	Pneumatic needle gripper, self-centering, through hole, 4 needles, 3/8 Bar, M5	165
0000063152	PT28* Pneum needle GRIPPER, self-centering, blow-off port, seat for sensor, 4 needles	Pneumatic needle gripper, self-centering, blow-off port, seat for sensor, 4 needles, 3/8 Bar, M5	182

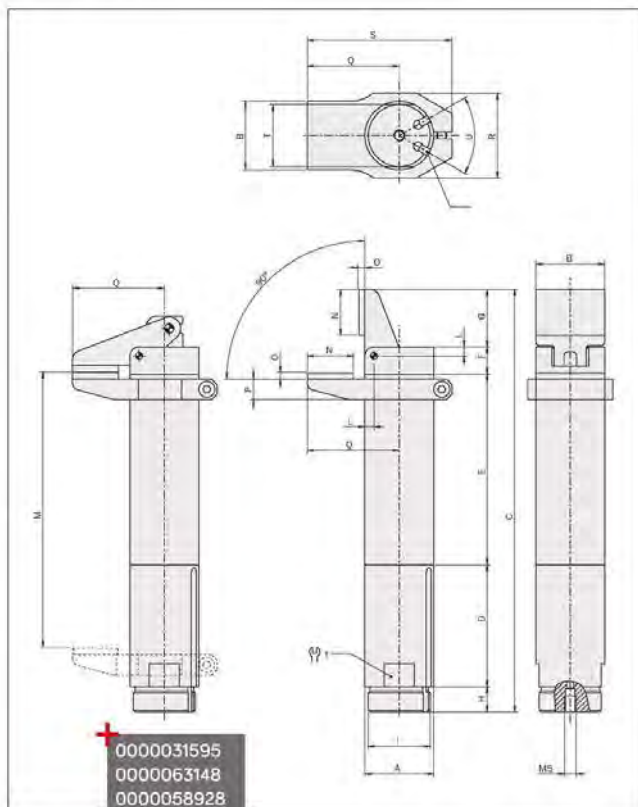
## ► Needles



0000063040

## ► Fingers

The EOAT fingers you choose can grip any object, regardless of its size, fragility or shape.



## ► Bushings



0000063038



ACP2285805



0000025006

Référence	Product name	Description	Weight in g
<b>Needles</b>			
0000063040	NAD* NEEDLE for NAG gripper, D2 (set of 10)	Spare needles diameter 2 mm for NAG gripper (sold in sets of 10)	1
<b>Fingers</b>			
0000063038	GFI-20-95° Pneumatic FINGER 95° P13	Pneumatic finger for prismatic extrusion P13 with a 95° closing angle, 40 N force, M5 air connection, addition fixing possibility in diameter 20 and possibility to add an extension in M17x1, sensor possibility in open and closed position	165
0000063039	GFI-30-95° Pneumatic FINGER 95° P22	Pneumatic finger for prismatic extrusion P22 with a 95° closing angle, 125 N force, G1/8 air connection, addition fixing possibility in diameter 30 and possibility to add an extension in M27x1, sensor possibility in open and closed position	182
0000031595	OFR14-95G* Pneum GRIPPER, 1 angled finger for clamping, d14 mm, HNBR buffer	Pneumatic gripper, single angled finger for clamping, 14 mm diameter, 2.5/8 Bar, M5, hard stop with HNBR buffer	30
0000063148	OFR20-95G* Pneum GRIPPER, 1 angled finger for clamping, d20 mm, HNBR buffer	Pneumatic gripper, single angled finger for clamping, 20 mm diameter, 2.5/8 Bar, M5, hard stop with HNBR buffer	80
0000058928	OFR30-95G* Pneum GRIPPER, 1 angled finger for clamping, d30 mm, HNBR buffer	Pneumatic gripper, single angled finger for clamping, 30 mm diameter, 2.5/8 Bar, M5, hard stop with HNBR buffer	230
<b>Bushings</b>			
0000025006	AGG30-C* Engagement BUSHING, d30 mm, with screws	Engagement bushing, 30 mm diameter, with screws	75
ACP2285805	AGG21-C* Engagement BUSHING, d20 mm, with screws	Engagement bushing, 20 mm diameter, with screws	25

# 05

---

## → Cutting elements

---

Nipper	p 48
Cylinders	p 48
Blades	p 49



## ► Nipper

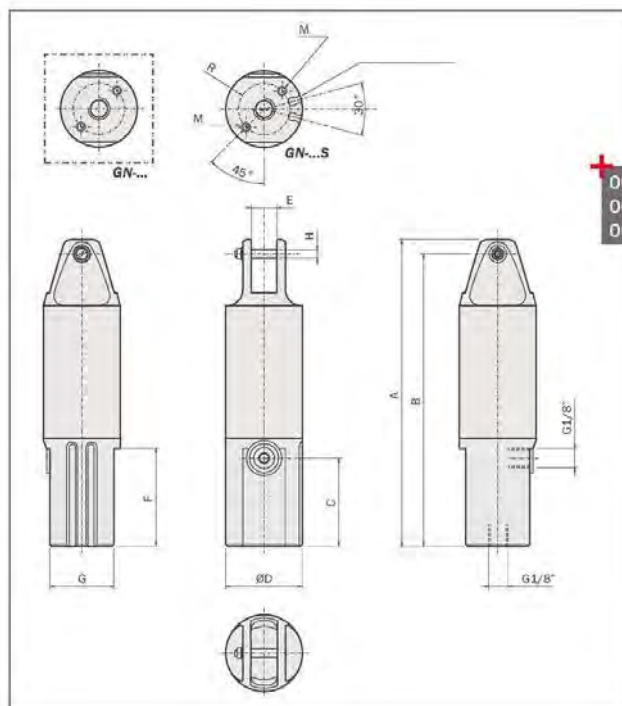
Our nipper offer allows you to cut the moulded product closer and gain in precision.



000063043

## ► Cylinders

Selected bodies for nippers adapt perfectly to your configuration.



000037125  
000043321  
000063073

Référence	Product name	Description	Weight in g
<b>Nipper</b>			
000063043	ANS-10* NIPPER	Nipper, ext. diameter 36, length 106, G1/8 connection, without blades, cutting force 420 N	156
000063044	ANS-20* NIPPER	Nipper, ext. diameter 45, length 130, G1/8 connection, without blades, cutting force 680 N	280
000063046	ANS-30* NIPPER	Nipper, ext. diameter 56, length 170, G1/8 connection, without blades, cutting force 1000 N	508
<b>Cylinders</b>			
000037125	GN-20* Pneum CYLINDER for self-centering nippers, d45 mm, G1/8, no blades	Pneumatic cylinder for self-centering nippers, 45 mm diameter, 2/8 Bar, G1/8, no blades	263
000043321	GN-30* Pneum CYLINDER for self-centering nippers, d56 mm, G1/8, no blades	Pneumatic cylinder for self-centering nippers, 56 mm diameter, 2/8 Bar, G1/8, no blades	480
000063073	GN-10* Pneum CYLINDER for self-centering nippers, d36 mm, G1/8, no blades	Pneumatic cylinder for self-centering nippers, 36 mm diameter, 2/8 Bar, G1/8, no blades	157



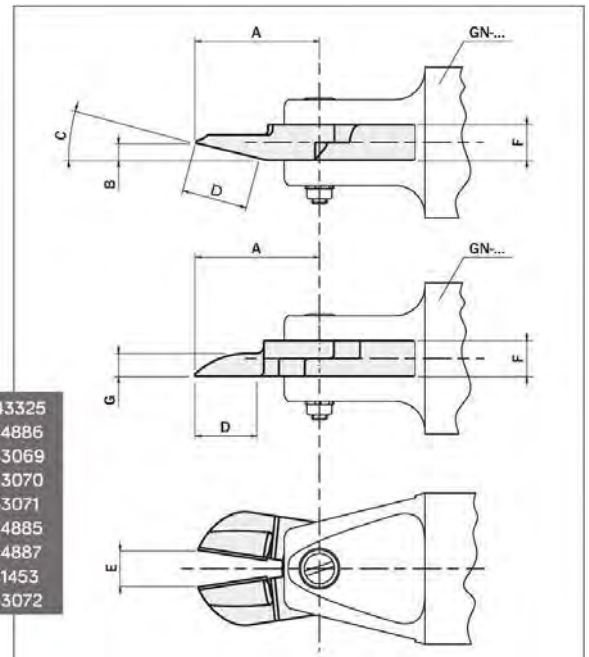


## ► Blades

MyGripper blades make clean and precise cuts on soft and hard plastics.



+ ACP2285804  
 0000023172  
 0000063152  
 0000063051  
 0000063052  
 ACP2310405  
 0000063054



+ '0000043325  
 0000044886  
 0000063069  
 0000063070  
 0000063071  
 0000044885  
 0000044887  
 0000051453  
 0000063072

Référence	Product name	Description	Weight in g
<b>Blades</b>			
ACP2285804	SZE-10-15-16* BLADES for ANS-10 nipper, 15° angle	Angled blades for ANS-10 nipper, opening 5 mm, blade angle 15°	116
0000023172	SZE-10-40-13* BLADES for ANS-10 nipper, 40° angle	Angled blades for ANS-10 nipper, opening 5 mm, blade angle 40°	118
0000063152	SZE-20-15-16* BLADES for ANS-20 nipper, 15° angle	Angled blades for ANS-20 nipper, opening 5 mm, blade angle 15°	122
0000063051	SZE-20-40-14* BLADES for ANS-20 nipper, 40° angle	Angled blades for ANS-20 nipper, opening 5 mm, blade angle 40°	123
0000063052	SZE-30-30-26* BLADES for ANS-30 and 50 nipper, 30° angle	Angled blades for ANS-30 and ANS-50 nipper, opening 5 mm, blade angle 30°	370
ACP2310405	SZE-20-0-35-20* BLADES for ANS-20 nipper, straight	Straight blades for ANS-20 nipper, opening 11.7 mm, blade angle 0°	17
0000063054	SZE-30-0-52-28* BLADES for ANS-30 and 50 nipper, straight	Straight blades for ANS-30 and ANS-50 nipper, opening 11.7 mm, blade angle 0°	54
'0000043325	G.N30PF* 30° BLADES, for nipper, sizes 30 and 50	30° blades, for nipper, sizes 30 and 50	388
0000044886	G.N20AP* 15° BLADES, for nipper, size 20	15° blades, for nipper, size 20	120
0000063069	G.N10LAJ* Long straight BLADES, for nipper, size 10	Long straight blades, for nipper, size 10	117
0000063070	G.N10LAP* Long 15° BLADES, for nipper, size 10	Long 15° blades, for nipper, size 10	115
0000063071	G.N10LPF* Long 40° BLADES, for nipper, size 10	Long 40° blades, for nipper, size 10	112
0000044885	G.N20AJ* Straight BLADES, for nipper, size 20	Straight blades, for nipper, size 20	121
0000044887	G.N20PF* 40° BLADES, for nipper, size 20	40° blades, for nipper, size 20	124
0000051453	G.N30AJ* Straight BLADES, for nipper, sizes 30 and 50	Straight blades, for nipper, sizes 30 and 50	365
0000063072	G.N30AP* 15° BLADES, for nipper, sizes 30 and 50	15° blades, for nipper, sizes 30 and 50	380

# 06

## → Vacuum cups

Hollow shaft fittings	p 50
Flat vacuum cups	p 51
Bellows vacuum cups	p 52
Long stroke vacuum cups	p 54



### ► Hollow shaft fittings

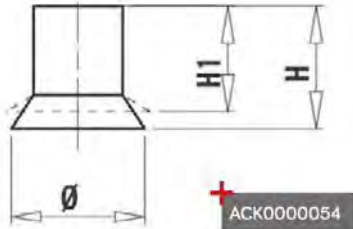
Sepro Group offers you several male and female fittings that are perfectly adapted to the different ranges of vacuum cups

Référence	Product name	Description	Weight in g
<b>Hollow shaft fittings</b>			
0000063074	IM11A* Hollow shaft FITTING VP 8-25	Hollow shaft fitting VP 8-25	
0000063075	IM21* Hollow shaft FITTING VP 8-25	Hollow shaft fitting VP 8-25	
0000063076	IMC14* Hollow shaft FITTING VP 26-60	Hollow shaft fitting VP 26-60	



## ► Flat vacuum cups

MyGripper vacuum cups have been designed for gripping your plastic parts. They are designed to prevent the vacuum cup from slipping from the load during the gripping phase.



ACK0000054

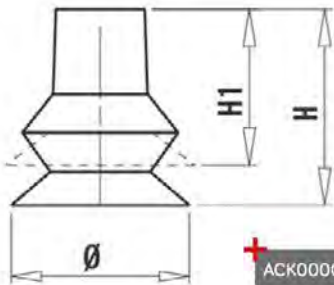


ACK0000055  
ACK0000056  
ACK0000057  
ACK0000058  
ACK0000059  
ACK0000060  
ACK0000061  
ACK0000062  
ACK0000063  
ACK0000064  
ACK0000065  
ACK0000066  
ACK0000067  
ACK0000068  
ACK0000069  
ACK0000070  
ACK0000071  
ACK0000072  
ACK0000073

Référence	Product name	Description	Weight in g
<b>Flat vacuum cups</b>			
ACK0000054	VS10S * VACUUM CUP D10 flat T4 silicone	Vacuum cup D10 flat T4 Silicone-Height at rest: 10.5 mm Height under load: 9 mm end cap size T4	
ACK0000055	VS10N * VACUUM CUP D10 flat T4 nitrile	Vacuum cup D10 flat T4 Nitrile-Height at rest: 10.5 mm Height under load: 9 mm end cap size T4	
ACK0000056	VS15S * VACUUM CUP D15 flat T4 silicone	Vacuum cup D15 flat T4 Silicone-Height at rest: 11 mm Height under load: 8.75 mm end cap size T4	
ACK0000057	VS15N * VACUUM CUP D15 flat T4 nitrile	Vacuum cup D15 flat T4 Nitrile-Height at rest: 11 mm Height under load: 8.75 mm end cap size T4	
ACK0000058	VS20S * VACUUM CUP D20 flat T4 silicone	Vacuum cup D20 flat T4 Silicone-Height at rest: 11.5 mm Height under load: 8.5 mm end cap size T4	
ACK0000059	VS20N * VACUUM CUP D20 flat T4 nitrile	Vacuum cup D20 flat T4 Nitrile-Height at rest: 11.5 mm Height under load: 8.5 mm end cap size T4	
ACK0000060	VS25S * VACUUM CUP D25 flat T4 silicone	Vacuum cup D25 flat T4 Silicone-Height at rest: 12 mm Height under load: 9 mm end cap size T4	
ACK0000061	VS25N * VACUUM CUP D25 flat T4 nitrile	Vacuum cup D25 flat T4 nitrile-Height at rest: 12 mm Height under load: 9 mm end cap size T4	
ACK0000062	VS26S * VACUUM CUP D26 flat T8 silicone	Vacuum cup D26 flat T8 Silicone-Height at rest: 19.5 mm Height under load: 17 mm end cap size T8	
ACK0000063	VS26N * VACUUM CUP D26 flat T8 nitrile	Vacuum cup D26 flat T8 Nitrile-Height at rest: 19.5 mm Height under load: 17 mm end cap size T8	
ACK0000064	VS35S * VACUUM CUP D35 flat T8 silicone	Vacuum cup D35 flat T8 Silicone-Height at rest: 20 mm Height under load: 17 mm end cap size T8	
ACK0000065	VS35N * VACUUM CUP D35 flat T8 nitrile	Vacuum cup D35 flat T8 Nitrile-Height at rest: 20 mm Height under load: 17 mm end cap size T8	
ACK0000066	VS52S * VACUUM CUP D52 flat T8 silicone	Vacuum cup D52 flat T8 Silicone-Height at rest: 22 mm Height under load: 17.5 mm end cap size T8	
ACK0000067	VS52N * VACUUM CUP D52 flat T8 nitrile	Vacuum cup D52 flat T8 Nitrile-Height at rest: 22 mm Height under load: 17.5 mm end cap size T8	
ACK0000068	VS60S * VACUUM CUP D60 flat T8 silicone	Vacuum cup D60 flat T8 Silicone-Height at rest: 22 mm Height under load: 17.5 mm end cap size T8	
ACK0000069	VS60N * VACUUM CUP D60 flat T8 nitrile	Vacuum cup D60 flat T8 Nitrile-Height at rest: 22 mm Height under load: 17.5 mm end cap size T8	
ACK0000070	VS75S * VACUUM CUP D75 flat T12 silicone	Vacuum cup D75 flat T12 Silicone-Height at rest: 32 mm Height under load: 27.5 mm end cap size T12	
ACK0000071	VS75N * VACUUM CUP D75 flat T12 nitrile	Vacuum cup D75 flat T12 Nitrile-Height at rest: 32 mm Height under load: 27.5 mm end cap size T12	
ACK0000072	VS95S * VACUUM CUP D95 flat T12 silicone	Vacuum cup D95 flat T12 Silicone-Height at rest: 38 mm Height under load: 26 mm end cap size T12	
ACK0000073	VS95N * VACUUM CUP D95 flat T12 nitrile	Vacuum cup D95 flat T12 Nitrile-Height at rest: 38 mm Height under load: 26 mm end cap size T12	
0000063163	VP15STN* VACUUM CUP D15 flat T4 siton	Vacuum cup D15 flat T4 Siton-Height at rest: 11 mm Height under load: 8.75 mm end cap size T4	
0000063164	VP20STN* VACUUM CUP D20 flat T4 siton	Vacuum cup D20 flat T4 Siton-Height at rest: 11.5 mm Height under load: 8.5 mm end cap size T4	
0000063165	VP25STN* VACUUM CUP D25 flat T4 siton	Vacuum cup D25 flat T4 Siton-Height at rest: 12 mm Height under load: 9 mm end cap size T4	
0000063166	VP30STN* VACUUM CUP D30 flat T8 siton	Vacuum cup D30 flat T8 Siton-Height at rest: 19 mm Height under load: 17.5 mm end cap size T8	
0000063167	VP40STN* VACUUM CUP D40 flat T8 siton	Vacuum cup D40 flat T8 Siton-Height at rest: 20 mm Height under load: 17 mm end cap size T8	
0000063168	VP50STN* VACUUM CUP D50 flat T8 siton	Vacuum cup D50 flat T8 Siton-Height at rest: 22 mm Height under load: 17.5 mm end cap size T8	
0000063169	VP8STN* VACUUM CUP D8 flat T4 siton	Vacuum cup D8 flat T4 Siton-Height at rest: 10 mm Height under load: 8.7 mm end cap size T4	

## ► Bellows vacuum cups

Your bellows vacuum cups are designed specifically for handling complex parts. Very flexible, they can be used to compensate for level differences or to grasp inclined surfaces.



ACK0000075



ACK0000083



ACK00000AJ

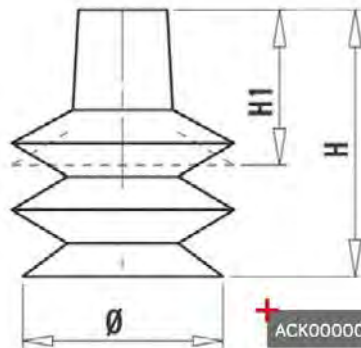


ACK00000AK  
ACK00000AL  
ACK0000093  
ACK0000095  
ACK0000097  
ACK0000099  
ACK00000A2  
ACK00000A4  
ACK00000A6  
ACK00000A8  
ACK00000AA  
ACK00000AC  
ACK0000077  
ACK0000079  
ACK0000081  
ACK0000085  
ACK0000087  
ACK0000089  
ACK0000091

Référence	Product name	Description	Weight in g
<b>Bellows vacuum cups</b>			
ACK00000AJ	VL15 * VACUUM CUP D15 label T4 rubber	Vacuum cup D15 label T4 Natural rubber-Height at rest: 9.8 mm Height under load: 9 mm end cap size T4	
ACK00000AK	VL20 * VACUUM CUP D20 label T4 rubber	Vacuum cup D20 label T4 Natural rubber-Height at rest: 10.3 mm Height under load: 9 mm end cap size T4	
ACK00000AL	VL25 * VACUUM CUP D25 label T4 rubber	Vacuum cup D25 label T4 Natural rubber-Height at rest: 10.8 mm Height under load: 9 mm end cap size T4	
ACK0000093	VT6N * VACUUM CUP D6 2 bellows T4 nitrile	Vacuum cup D6 2 bellows T4 Nitrile-Height at rest: 13.2 mm Height under load: 10.2 mm end cap size T4	
ACK0000095	VT7N * VACUUM CUP D7 2 bellows T4 nitrile	Vacuum cup D7 2 bellows T4 nitrile-Height at rest: 14 mm Height under load: 10 mm end cap size T4	
ACK0000097	VT9N * VACUUM CUP D9 2 bellows T4 nitrile	Vacuum cup D9 2 bellows T4 nitrile-Height at rest: 15 mm Height under load: 12 mm end cap size T4	
ACK0000099	VT12N * VACUUM CUP D12 2 bellows T4 nitrile	Vacuum cup D12 2 bellows T4 nitrile-Height at rest: 21 mm Height under load: 14 mm end cap size T4	
ACK00000A2	VT14N * VACUUM CUP D14 2 bellows T4 nitrile	Vacuum cup D14 2 bellows T4 nitrile-Height at rest: 23 mm Height under load: 13 mm end cap size T4	
ACK00000A4	VT18N * VACUUM CUP D18 2 bellows T4 nitrile	Vacuum cup D18 2 bellows T4 nitrile-Height at rest: 23 mm Height under load: 13 mm end cap size T4	
ACK00000A6	VT25N * VACUUM CUP D25 2 bellows T4 nitrile	Vacuum cup D25 2 bellows T4 nitrile-Height at rest: 34 mm Height under load: 14 mm end cap size T4	
ACK00000A8	VT26N * VACUUM CUP D26 2 bellows T8 nitrile	Vacuum cup D26 2 bellows T8 nitrile-Height at rest: 33 mm Height under load: 21 mm end cap size T8	
ACK00000AA	VT42N * VACUUM CUP D42 2 bellows T8 nitrile	Vacuum cup D42 2 bellows T8 nitrile-Height at rest: 46 mm Height under load: 24 mm end cap size T8	
ACK00000AC	VT62N * VACUUM CUP D62 2 bellows T8 nitrile	Vacuum cup D62 2 bellows T8 nitrile-Height at rest: 55 mm Height under load: 24 mm end cap size T8	
ACK0000075	VD5N * VACUUM CUP D5 1 bellow T4 nitrile	Vacuum cup D5.5 1 bellow T4 nitrile-Height at rest: 11 mm Height under load: 9 mm end cap size T4	
ACK0000077	VD11N * VACUUM CUP D11 1 bellow T4 nitrile	Vacuum cup D11 1 bellow T4 nitrile-Height at rest: 16 mm Height under load: 10.5 mm end cap size T4	
ACK0000079	VD16N * VACUUM CUP D16 1 bellow T4 nitrile	Vacuum cup D16 1 bellow T4 nitrile-Height at rest: 19 mm Height under load: 10.5 mm end cap size T4	
ACK0000081	VD19N * VACUUM CUP D19 1 bellow T4 nitrile	Vacuum cup D19 1 bellow T4 nitrile-Height at rest: 16 mm Height under load: 11 mm end cap size T4	
ACK0000083	VD25N * VACUUM CUP D25 1 bellow T4 nitrile	Vacuum cup D25 1 bellow T4 nitrile-Height at rest: 23 mm Height under load: 11 mm end cap size T4	
ACK0000085	VD26N * VACUUM CUP D26 1 bellow T8 nitrile	Vacuum cup D26 1 bellow T8 nitrile-Height at rest: 24.5 mm Height under load: 18.5 mm end cap size T8	
ACK0000087	VD33N * VACUUM CUP D33 1 bellow T8 nitrile	Vacuum cup D33 1 bellow T8 nitrile-Height at rest: 27.5 mm Height under load: 16.5 mm end cap size T8	
ACK0000089	VD53N * VACUUM CUP D53 1 bellow T8 nitrile	Vacuum cup D53 1 bellow T8 nitrile-Height at rest: 34 mm Height under load: 19 mm end cap size T8	
ACK0000091	VD63N * VACUUM CUP D63 1 bellow T8 nitrile	Vacuum cup D63 1 bellow T8 nitrile-Height at rest: 34 mm Height under load: 19 mm end cap size T8	



## ► Bellows vacuum cups



ACK0000092



ACK00000AD

Référence	Product name	Description	Weight In g
<b>Bellows vacuum cups</b>			
ACK00000AD	VJ26 * VACUUM CUP D26 1 bellow T8 silicone soft ring	Vacuum cup D26 1 bellow T8 silicone soft ring-Height at rest: 26.5 mm Height under load: 20.5 mm end cap size T8	
ACK00000AE	VJ33 * VACUUM CUP D33 1 bellow T8 silicone soft ring	Vacuum cup D33 1 bellow T8 silicone soft ring-Height at rest: 29.5 mm Height under load: 18.5 mm end cap size T8	
ACK00000AF	VJ53 * VACUUM CUP D53 1 bellow T8 silicone soft ring	Vacuum cup D53 1 bellow T8 silicone soft ring-Height at rest: 39 mm Height under load: 24 mm end cap size T8	
ACK0000092	VT6S * VACUUM CUP D6 2 bellows T4 silicone	Vacuum cup D6 2 bellows T4 silicone-Height at rest: 13.2 mm Height under load: 10.2 mm end cap size T4	
ACK0000094	VT7S * VACUUM CUP D7 2 bellows T4 silicone	Vacuum cup D7 2 bellows T4 silicone-Height at rest: 14 mm Height under load: 10 mm end cap size T4	
ACK0000096	VT9S * VACUUM CUP D9 2 bellows T4 silicone	Vacuum cup D9 2 bellows T4 silicone-Height at rest: 15 mm Height under load: 12 mm end cap size T4	
ACK0000098	VT12S * VACUUM CUP D12 2 bellows T4 silicone	Vacuum cup D12 2 bellows T4 silicone-Height at rest: 21 mm Height under load: 14 mm end cap size T4	
ACK00000A1	VT14S * VACUUM CUP D14 2 bellows T4 silicone	Vacuum cup D14 2 bellows T4 silicone-Height at rest: 23 mm Height under load: 13 mm end cap size T4	
ACK00000A3	VT18S * VACUUM CUP D18 2 bellows T4 silicone	Vacuum cup D18 2 bellows T4 silicone-Height at rest: 23 mm Height under load: 13 mm end cap size T4	
ACK00000A5	VT25S * VACUUM CUP D25 2 bellows T4 silicone	Vacuum cup D25 2 bellows T4 silicone-Height at rest: 34 mm Height under load: 14 mm end cap size T4	
ACK00000A7	VT26S * VACUUM CUP D26 2 bellows T8 silicone	Vacuum cup D26 2 bellows T8 silicone-Height at rest: 33 mm Height under load: 21 mm end cap size T8	
ACK00000A9	VT42S * VACUUM CUP D42 2 bellows T8 silicone	Vacuum cup D42 2 bellows T8 silicone-Height at rest: 46 mm Height under load: 24 mm end cap size T8	
ACK00000AB	VT62S * VACUUM CUP D62 2 bellows T8 silicone	Vacuum cup D62 2 bellows T8 silicone-Height at rest: 55 mm Height under load: 24 mm end cap size T8	
ACK0000074	VD5S * VACUUM CUP D5 1 bellow T4 silicone	Vacuum cup D5.5 1 bellow T4 silicone-Height at rest: 11 mm Height under load: 9 mm end cap size T4	
ACK0000076	VD11S * VACUUM CUP D11 1 bellow T4 silicone	Vacuum cup D11 1 bellow T4 silicone-Height at rest: 16 mm Height under load: 10.5 mm end cap size T4	
ACK0000078	VD16S * VACUUM CUP D16 1 bellow T4 silicone	Vacuum cup D16 1 bellow T4 silicone-Height at rest: 19 mm Height under load: 10.5 mm end cap size T4	
ACK0000080	VD19S * VACUUM CUP D19 1 bellow T4 silicone	Vacuum cup D19 1 bellow T4 silicone-Height at rest: 16 mm Height under load: 11 mm end cap size T4	
ACK0000082	VD25S * VACUUM CUP D25 1 bellow T4 silicone	Vacuum cup D25 1 bellow T4 silicone-Height at rest: 23 mm Height under load: 11 mm end cap size T4	
ACK0000084	VD26S * VACUUM CUP D26 1 bellow T8 silicone	Vacuum cup D26 1 bellow T8 silicone-Height at rest: 24.5 mm Height under load: 18.5 mm end cap size T8	
ACK0000086	VD33S * VACUUM CUP D33 1 bellow T8 silicone	Vacuum cup D33 1 bellow T8 silicone-Height at rest: 27.5 mm Height under load: 16.5 mm end cap size T8	
ACK0000088	VD53S * VACUUM CUP D53 1 bellow T8 silicone	Vacuum cup D53 1 bellow T8 silicone-Height at rest: 34 mm Height under load: 19 mm end cap size T8	
ACK0000090	VD63S * VACUUM CUP D63 1 bellow T8 silicone	Vacuum cup D63 1 bellow T8 silicone-Height at rest: 34 mm Height under load: 19 mm end cap size T8	

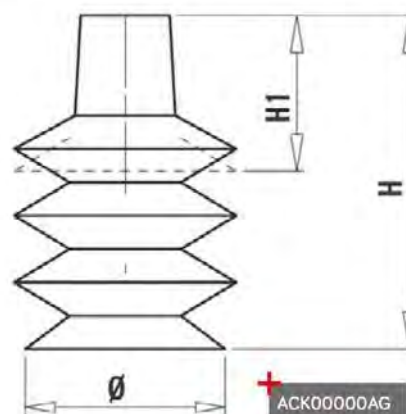
## ► Bellows vacuum cups



0000005517  
0000005518  
0000005519  
0000005515  
0000005516

## ► Long stroke vacuum cups

Your long stroke vacuum cups are specially designed for handling spherical and cylindrical parts as well as parts requiring significant height compensation.



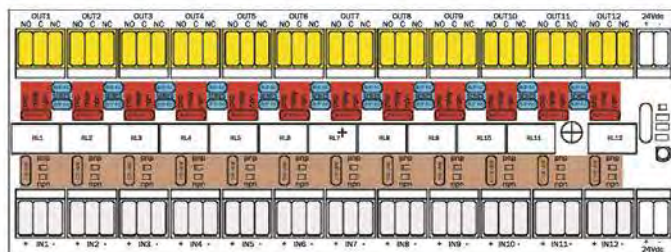
Référence	Product name	Description	Weight in g
<b>Bellows vacuum cups</b>			
0000015562	VSA25STN VACUUM * CUP D25 1 bellow T4 siton	Vacuum cup D25 1 bellow T4 siton - Height at rest: 23 mm Height under load: 11 mm end cap size T4	
ACA0203908	VSA11STN VACUUM * CUP D11 1 bellow T4 siton	Vacuum cup D11 1 bellow T4 siton - Height at rest: 16 mm Height under load: 10.5 mm end cap size T4	
ACA0203909	VSA20STN VACUUM * CUP D19 1 bellow T4 siton	Vacuum cup D19 1 bellow T4 siton - Height at rest: 16 mm Height under load: 11 mm end cap size T4	
ACA0250500	VSA26STN VACUUM * CUP D26 1 bellow T8 siton	Vacuum cup D26 1 bellow T8 siton - Height at rest: 24.5 mm Height under load: 18.5 mm end cap size T8	
ACP2061300	VSA33STN VACUUM * CUP D33 1 bellow T8 siton	Vacuum cup D33 1 bellow T8 siton - Height at rest: 27.5 mm Height under load: 16.5 mm end cap size T8	
APP1868801	VSA16STN VACUUM * CUP D16 1 bellow T4 siton	Vacuum cup D16 1 bellow T4 siton - Height at rest: 19 mm Height under load: 10.5 mm end cap size T4	
0000063174	VSA5STN VACUUM * CUP D5 1 bellow T4 siton	Vacuum cup D5 1 bellow T4 siton - Height at rest: 11 mm Height under load: 9 mm end cap size T4	
0000063175	VSA63STN VACUUM * CUP D63 1 bellow T8 siton	Vacuum cup D63 1 bellow T8 siton - Height at rest: 34 mm Height under load: 19 mm end cap size T8	
0000005517	VT26ST* VACUUM CUP D26 2 bellows T8 SITON	Vacuum cup D26 2 bellows T8 siton - Height at rest: 33 mm Height under load: 21 mm end cap size T8	
0000005518	VT42ST* VACUUM CUP D42 2 bellows T8 SITON	Vacuum cup D42 2 bellows T8 siton - Height at rest: 46 mm Height under load: 24 mm end cap size T8	
0000005519	VT62ST* VACUUM CUP D62 2 bellows T8 SITON	Vacuum cup D62 2 bellows T8 siton - Height at rest: 55 mm Height under load: 24 mm end cap size T8	
0000005515	VD33ST* VACUUM CUP D33 1 bellow T8 SITON	Vacuum cup D33 1 bellow T8 siton - Height at rest: 27.5 mm Height under load: 16.5 mm end cap size T8	
0000005516	VD53ST* VACUUM CUP D53 1 bellow T8 SITON	Vacuum cup D53 1 bellow T8 siton - Height at rest: 34 mm Height under load: 19 mm end cap size T8	
0000030646	VS18STN VACUUM * CUP D18 2 blowers T4 siton	Vacuum cup D18 2 bellows T8 siton - Height at rest: 23 mm Height under load: 13 mm end cap size T4	
ACA0160200	VS26STN VACUUM * CUP D26 2 blowers T8 siton	Vacuum cup D26 2 bellows T8 siton - Height at rest: 33 mm Height under load: 21 mm end cap size T8	
ACP1418701	VS9STN VACUUM * CUP D9 2 blowers T4 siton	Vacuum cup D9 2 bellows T4 siton - Height at rest: 15 mm Height under load: 12 mm end cap size T4	
ACP1777106	VS14STN VACUUM * CUP D14 2 blowers T4 siton	Vacuum cup D14 2 bellows T4 siton - Height at rest: 23 mm Height under load: 13 mm end cap size T4	
0000063170	VS12STN VACUUM * CUP D12 2 blowers T4 siton	Vacuum cup D12 2 bellows T4 siton - Height at rest: 21 mm Height under load: 14 mm end cap size T4	
0000063171	VS25STN VACUUM * CUP D25 2 blowers T4 siton	Vacuum cup D25 2 bellows T4 siton - Height at rest: 34 mm Height under load: 14 mm end cap size T4	
0000005518	VS42STN VACUUM * CUP D42 2 blowers T8 siton	Vacuum cup D42 2 bellows T8 siton-Height at rest:46mm Height under load:24mm end cap size T8	
0000063172	VS5STN VACUUM * CUP D5 2 blowers T4 siton	Vacuum cup D5 2 bellows T4 siton - Height at rest: 13.5 mm Height under load: 10.5 mm end cap size T4	
0000005519	VS62STN VACUUM * CUP D62 2 blowers T8 siton	Vacuum cup D62 2 bellows T8 siton-Height at rest:55mm Height under load:24mm end cap size T8	
0000063173	VS7STN VACUUM * CUP D7 2 blowers T4 siton	Vacuum cup D7 2 bellows T4 siton - Height at rest: 14 mm Height under load: 10 mm end cap size T4	
<b>Long stroke vacuum cups</b>			
ACK00000AG	VM18 * VACUUM CUP D18 long stroke T4 silicone	Vacuum cup D18 long stroke T4 silicone-Height at rest: 36 mm Height under load: 18 mm end cap size T4	
ACK00000AH	VM25 * VACUUM CUP D25 long stroke T4 silicone	Vacuum cup D25 long stroke T4 silicone-Height at rest: 45 mm Height under load: 18 mm end cap size T4	
ACK00000AI	VM32 * VACUUM CUP D32 long stroke T8 silicone	Vacuum cup D32 long stroke T8 silicone-Height at rest: 65 mm Height under load: 31 mm end cap size T8	

# 07

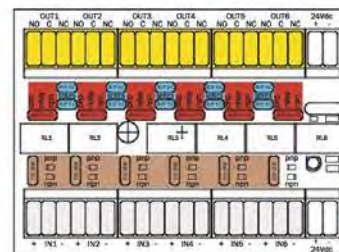
## → Electronic accessories

Splitter boxes	p 55
Electric connectors	p 56
Sensors	p 56
Fiber optic	p 56
Manifolds	p 56
Plug fittings	p 56

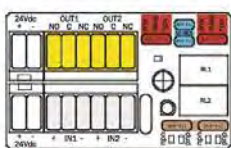
### ► Splitter boxes



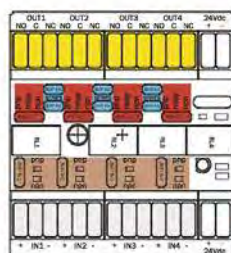
+ 0000031667



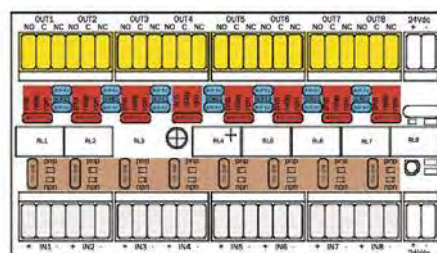
+ 0000063156



+ 0000063154



+ 0000063155



+ 0000025112

Référence	Product name	Description	Weight in g
<b>Splitter boxes</b>			
0000025112	SB8C* SPLITTER BOX for sensors, 130x94x57 mm, 8 PNP/NPN/relay	Splitter box for sensors, 94x65x57 mm, 24 Vdc, 1 A, connectors with quick coupling terminals, maximum 4 PNP/NPN inputs, relay switching, maximum 4 PNP/NPN/switch type outputs	235
0000031667	SB12C* SPLITTER BOX for sensors, 180x94x57 mm, 12 I/O PNP/NPN/relay	Splitter box for sensors, 180x94x57 mm, 24 Vdc, 1 A, connectors with quick coupling terminals, maximum 12 PNP/NPN inputs, relay switching, maximum 12 PNP/NPN/switch type outputs	325
0000063154	SB2C* SPLITTER BOX for sensors, 65x65x57 mm, 2 I PNP/NPN/relay	Splitter box for sensors, 180x94x57 mm, 24 Vdc, 1 A, connectors with quick coupling terminals, maximum 12 PNP/NPN inputs, relay switching, maximum 12 PNP/NPN/switch type outputs	120
0000063155	SB4C* SPLITTER BOX for sensors, 94x65x57 mm, 4 I/O PNP/NPN/relay	Splitter box for sensors, 65x65x57 mm, 24 Vdc, 1 A, connectors with quick coupling terminals, maximum 2 PNP/NPN inputs, relay switching	160
0000063156	SB6C* SPLITTER BOX for sensors, 94x94x57 mm, 6 I PNP/NPN/relay	Splitter box for sensors, 65x65x57 mm, 24 Vdc, 1 A, connectors with quick coupling terminals, maximum 2 PNP/NPN inputs, relay switching	190

## ► Electric connectors



+ 0000050409



+ 0000062840



+ 0000040942

## ► Sensors

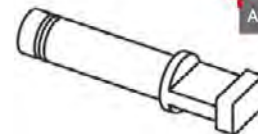
## ► Fiber optic



+ AMK00000F0

## ► Manifolds

## ► Plug fittings



+ AC01C01581

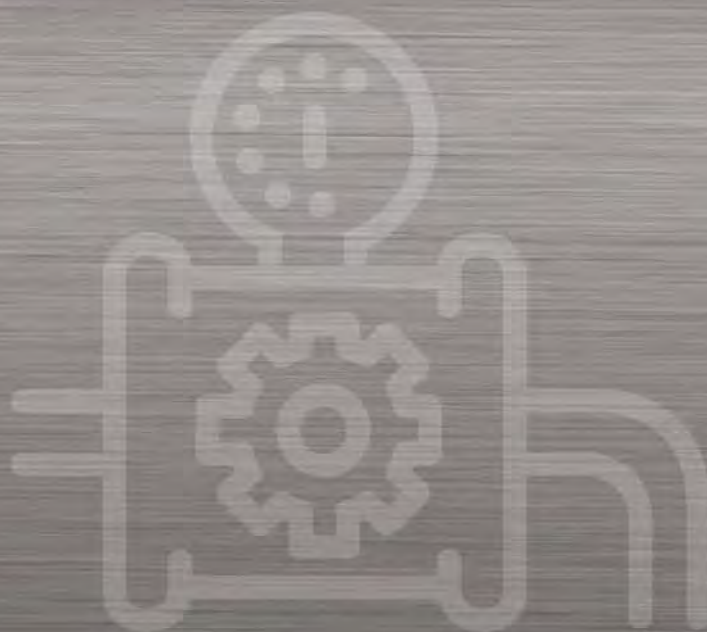
Référence	Product name	Description	Weight in g
<b>Electric connectors</b>			
0000062840	EST-GWS-R-K ELECTRIC CONNECTOR Male	Electrical connector, male, 0/250 VAC, D-sub 15-pin type VGA, gold contacts	28
0000050409	EST-GWS-R-K ELECTRIC CONNECTOR Female	Electrical connector, female, 0/250 VAC, D-sub 15-pin type VGA, gold contacts	27
ACK00000AN	EPF1 * D-SUB CONNECTOR FEMALE 25-PIN	Electrical connector D-SUB FEMALE 25 pin for electrical connection of the EOAT on the Sepro Z arm	
ACK00000AP	EPM2 * D-SUB CONNECTOR male 15-PIN	Electrical connector D-SUB male 15 pin for electrical connection of the EOAT on the Sepro Z arm	
ACK00000A0	EPM1 * D-SUB CONNECTOR male 25-PIN	Electrical connector D-SUB male 25 pin for electrical connection of the EOAT on the Sepro Z arm	
0000040942	MAQC* ELECTRICAL CONNECTOR with sensor, female, 0/250 VAC, D-sub 15-pin type VGA	Electrical connector with sensor, female, 0/250 VAC, D-sub 15-pin type VGA, gold contacts	30
0000040943	MBQC* ELECTRICAL CONNECTOR with sensor, male, 0/250 VAC, D-sub 15-pin type VGA	Electrical connector with sensor, male, 0/250 VAC, D-sub 15-pin type VGA, gold contacts	
ACP2141809	CAQC* ELECTRICAL CONNECTOR, female, 0/250 VAC, D-sub 15-pin type VGA	Electrical connector, female, 0/250 VAC, D-sub 15-pin type VGA, gold contacts	30
ACP2141810	CBQC* ELECTRICAL CONNECTOR, male, 0/250 Vac, D-sub 15-pin type VGA	Electrical connector, male, 0/250 VAC, D-sub 15-pin type VGA, gold contacts	30
<b>Sensors</b>			
AE06C00253	RS12 * Inductive SENSOR D12 24Vcc NO AD-623-M12-159]	CONTRINEX inductive sensor M12x1 Range 4MM - PNP - 24Vcc NO	
AMK00000CJ	RSG * SENSOR for OMRON detection for D20 and D25 gripper.	Sensor for OMRON detection PNP for D20 and D25 gripper GS20-GS25-GS120-GS125	10
AMK00000EE	RSG2 * SENSOR for OMRON detection for D20 and D25 gripper	Sensor for OMRON detection NPN for D20 and D25 gripper GS20-GS25-GS120-GS125	10
<b>Fiber optic</b>			
AMK00000F0	DF020 * PLATE for part detection via optical fibre GRIPPER D20	System for detecting part or sprue by optical fibre mounted on gripper D20 G20/GR20/GS20/GJ20/GJ20A	10
AMK00000F2	DF025 * PLATE for part detection via optical fibre GRIPPER D25	System for detecting part or sprue by optical fibre mounted on gripper D25 G25/GR25/GS25/GJ25/GJ25A	10
<b>Manifolds</b>			
AM02S2M969	NOU5 * MANIFOLD 5 ports	Pneumatic connection manifold for EOAT cabling 5 ports M5	
AM02S2M970	NOU7 * MANIFOLD 7 ports	Pneumatic connection manifold for EOAT cabling 7 ports M5	
<b>Plug fittings</b>			
AC01C01581	SP4 * PLUG FITTING clip-on D4	Pneumatic plug fitting clip-on D4	
AC01C01582	SP6 * PLUG FITTING clip-on D6	Pneumatic plug fitting clip-on D6	



# 08

## → Pneumatic Accessories

Valve units	p 57
Pneumatic connectors for extrusions	p 58
Bases	p 58
Tubes	p 58
Hoses	p 58
Connectors	p 59
Fittings	p 60
Setters	p 60
Caps	p 61
Fixing clamps	p 61
Pneumatic connectors for quick tool changes	p 61
Fitting holder plates	p 61



### ▶ Valve units



Référence	Product name	Description	Weight in g
<b>Valve units</b>			
0000063140	MFI-A66* Valve UNIT, G1/8, with screws	Valve unit, G1/8, with screws	50
0000063141	MFI-A67* Valve UNIT, G1/4, with screws	Valve unit, G1/4, with screws	80
0000063143	MFI-A69* Side valve UNIT, G1/8, with screws	Side valve unit, G1/8, with screws	50
0000063144	MFI-A70* Side valve UNIT, G1/8, with screws	Side valve unit, G1/8, with screws	48
0000063142	MFI-A68* Side valve UNIT, G1/8, with screws	Side valve unit, G1/8, with screws	30

## ► Pneumatic connectors for extrusions



0000063055  
0000063056  
0000063057  
0000063059



0000063058

## ► Bases



0000063092  
0000063125

## ► Tubes



AC00000587

## ► Hoses



AC01C20006

Référence	Product name	Description	Weight in g
<b>Pneumatic connectors for extrusions</b>			
0000063055	MVB-P13-1-4-18-5* PNEUMATIC CONNECTOR for prismatic extrusion	Pneumatic connector, one inlet 1x G1/8 - 4 outlets M5 for prismatic extrusion P13	19
0000063056	MVB-P13-1-4-18-18* PNEUMATIC CONNECTOR for prismatic extrusion	Pneumatic connector, one input 1x G1/8 - 4 outputs 1/8 for extrusion in prism P13	28
0000063057	MVB-P22-1-4-18-18* PNEUMATIC CONNECTOR for prismatic extrusion	Pneumatic connector, one input 1x G1/8 - 4 outputs 1/8 for extrusion in prism P22	39
0000063058	MVB-P22-2-4-18-18* PNEUMATIC CONNECTOR for prismatic extrusion	Pneumatic connector, two inlets 2x G1/8 - 4 outlets 1/8 for prismatic extrusion P22	55
0000063059	MVB-P22-1-8-18-18* PNEUMATIC CONNECTOR for prismatic extrusion	Pneumatic connector, one inlet 1x G1/8 - 8 outlets 1/8 for prismatic extrusion P22	52
<b>Bases</b>			
0000063092	KBE-P13* CABLE CLAMP with prism	Cable clamp with prism P13	5
0000063125	KBE-P22* CABLE CLAMP with prism	Cable clamp with prism P22	7
<b>Tubes</b>			
AC00000587	FT6BL * TUBE blue polyurethane 4x6	Polyurethane hose 4x6 Blue L5M for pneumatic cabling	
AC01C20101	RT4BK * TUBE polyamide semi rigid - BLACK 2.7x4	Semi-rigid polyamide tube - Black 2.7x4 L5M for pneumatic cabling	
AC01C20102	RT6BK * TUBE polyamide semi rigid - BLACK 4x6	Semi-rigid polyamide tube - Black 4x6 L5M for pneumatic cabling	
<b>Hoses</b>			
AC00000582	FT4BL * HOSE polyurethane blue 2.5x4	Polyurethane hose 2.5x4 Blue L5M for pneumatic cabling	
AC00000583	FT4RD * Polyurethane HOSE - RED 2.5x4	Polyurethane hose 2.5x4 Red L5M for pneumatic cabling	
AC01C20006	RT4RD * HOSE polyamide semi rigid - RED 2.7x4	Semi-rigid polyamide hose - Red 2.7x4 L5M for pneumatic cabling	
AC01C20007	RT6RD * HOSE polyamide semi rigid - RED 4x6	Semi-rigid polyamide hose - Red 4x6 L5M for pneumatic cabling	
AC01C20011	RT4BL * HOSE polyamide semi rigid - BLUE 2.7x4	Semi-rigid polyamide hose - Blue 2.7x4 L5M for pneumatic cabling	
AC01C20012	RT6BL * HOSE polyamide semi rigid - BLUE 4x6	Semi-rigid polyamide hose - Blue 4x6 L5M for pneumatic cabling	
AC01C20201	FT4BK * FLEXIBLE Polyurethane HOSE - BLACK 2.5x4	Flexible polyurethane hose 2.5x4 Black L5M for pneumatic cabling	
AC01C20209	FT4GY * FLEXIBLE Polyurethane HOSE - GREY 2.5 x 4	Flexible polyurethane hose 2.5 x 4 Grey L5M for pneumatic cabling	
AC01C20211	FT6BK * FLEXIBLE Polyurethane HOSE - BLACK 4 x 6	Flexible Polyurethane Hose 4 x 6 Black L5M for pneumatic cabling	
AC01C20213	FT6RD * FLEXIBLE Polyurethane HOSE - RED 4 x 6	FLEXIBLE Polyurethane Hose 4 x 6 Red L5M for pneumatic cabling	
AC01C20216	FT6GY * FLEXIBLE Polyurethane HOSE - GREY 4 x 6	Flexible Polyurethane Hose 4 x 6 Grey L5M for pneumatic cabling	



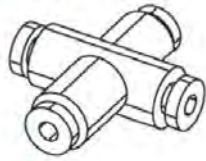
## ► Connectors



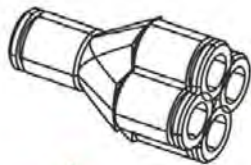
AM50WN0000

Référence	Product name	Description	Weight m g
<b>Connectors</b>			
AM50WM0300	PP06 * PNEU. CONNECTOR 444 FOR 3010	Sepro pneumatic connector for EOAT connection on 3010 range Ports: 6XD4	
AM50WN0000	PP01 * PNEU. CONNECTOR 4444 Lev. 0	Sepro pneumatic connector for EOAT connection on 3000 range Ports: 8XD4 Position on Z-arm: Position 0	
AM50WN0100	PP02 * PNEU. CONNECTOR 4444 Lev. 0	Sepro pneumatic connector for EOAT connection on 3000 range Ports: 6XD4-2XD6 Position on Z-arm: Position 0	
AM50WN0110	PP12 * PNEU. CONNECTOR 4444 Lev. 1	Sepro pneumatic connector for EOAT connection on 3000 range Ports: 6XD4-2XD6 Position on Z-arm: Position 1	
AM50WN0120	PP22 * PNEU. CONNECTOR 4444 Lev. 2	Sepro pneumatic connector for EOAT connection on 3000 range Ports: 6XD4-2XD6 Position on Z-arm: Position 2	
AM50WN0200	PP03 * PNEU. CONNECTOR 4466 Lev. 0	Sepro pneumatic connector for EOAT connection on 3000 range Ports: 4XD4-4XD6 Position on Z-arm: position 0	
AM50WN0210	PP13 * PNEU. CONNECTOR 4466 Lev. 1	Sepro pneumatic connector for EOAT connection on 3000 range Ports: 4XD4-4XD6 Position on Z-arm: position 1	
AM50WN0220	PP23 * PNEU. CONNECTOR 4466 Lev. 2	Sepro pneumatic connector for EOAT connection on 3000 range Ports: 4XD4-4XD6 Position on Z-arm: position 2	
AM50WN0300	PP04 * PNEU. CONNECTOR 4666 Lev. 0	Sepro pneumatic connector for EOAT connection on 3000 range Ports: 2XD4-6XD6 Position on Z-arm: position 0	
AM50WN0310	PP14 * PNEU. CONNECTOR 4666 Lev. 1	Sepro pneumatic connector for EOAT connection on 3000 range Ports: 2XD4-6XD6 Position on Z-arm: position 1	
AM50WN0400	PP05 * PNEU. CONNECTOR 6666 Lev. 0	Sepro pneumatic connector for EOAT connection on 3000 range Ports: 8XD6 Position on Z-arm: position 0	
AM50WN0410	PP15 * PNEU. CONNECTOR 6666 Lev. 1	Sepro pneumatic connector for EOAT connection on 3000 range Ports: 8XD6 Position on Z-arm: position 1	
AM50WN0420	PP25 * PNEU. CONNECTOR 6666 Lev. 2	Sepro pneumatic connector for EOAT connection on 3000 range Ports: 8XD6 Position on Z-arm: position 2	
AP00000027	MP1 * CONNECTOR pneumatic male 6xD4 2xD6	Sepro pneumatic male connector for EOAT connection on current range Ports: 6XD4 2XD6	
AP00000029	MP2 * CONNECTOR pneumatic male 4xD4 4xD6	Sepro pneumatic male connector for EOAT connection on current range Ports: 4XD4 4XD6	
AP00000031	MP3 * CONNECTOR pneumatic male 2xD4 6xD6	Sepro pneumatic male connector for EOAT connection on current range Ports: 2XD4 6XD6	
AP00000033	MP4 * CONNECTOR pneumatic male 8xD6	Sepro pneumatic male connector for EOAT connection on current range Ports: 8XD6	
AP05C00623	PP62 * CONNECTOR M 2D6 - F 2D6	Sepro Pneumatic Connector for EOAT connection on 3000 range assembled connector 2XD6 male part and 2XD6 female part	
AP05C00624	PP42 * CONNECTOR M 2D4 - F 2D4	Sepro Pneumatic Connector for EOAT connection on 3000 range assembled connector 2XD4 male part and 2XD4 female part	

## Fittings



AC00000208



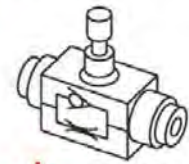
AC00000340



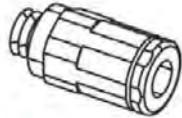
AC01C00017



AC01C00046



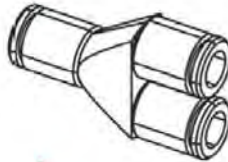
AP05C00407



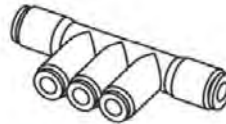
AC01C01501



AC01C01541



AC01C01692



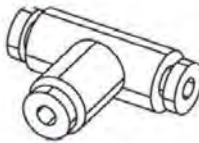
AC00000207



AC00000616



AC01C01551



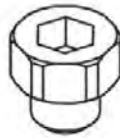
AC01C01561

## Setters

Référence	Product name	Description	Weight in g
<b>Fittings</b>			
AC00000208	CROS44 * CROSS BRANCH 4	Pneumatic cross branches equal D4	
AC00000209	CROS66 * CROSS BRANCH 6	Pneumatic cross branches equal D6	
AC00000207	MP64 * BRANCH T 6 - 4	Branch T 6 - 4 for pneumatic cabling	
AC00000206	QP64 * Y FITTING double not equal 6 - 4	Y fitting double 1X D6 input + 4X D4 output 1 per pack	
AC01C01504	Q186 * Straight FITTING male 06 - 1/8 BSP Cylind.	Straight cylindrical connector male 1X G1/8 inlet + 1X D6 outlet 10 per pack	
AC00000340	QP44 * Double Y JOINT 4	Y fitting double 1X D4 input + 4X D4 output 1 per pack	
AC00000341	DP64 * Y FITTING single not equal 6 - 4	Y fitting single 1X D6 inlet + 2X D4 outlet 1 per pack	
AC00000617	RQ186 * Elbow FITTING male 1/8 - 6	Elbow connector male 1X G1/8 inlet + 1X D6 outlet 1 per pack	
AC00000618	QM56 * STRAIGHT CONNECTOR M5 - 6	Cylindrical connector male 1X M5 inlet + 1X D6 outlet 10 per pack	
AC00000619	TP66 * Double Y JOINT 6	Y fitting double 1X D6 input + 4X D6 output 1 per pack	
AC01C00017	RM54 * Elbow FITTING male M5 - 2.7X4 ribbed	Elbow connector male 1X M5 inlet + 1X 2.7X4 ribbed outlet 10 per pack	
AC01C00018	RM56 * Elbow FITTING male M5 - 4x6 ribbed	Elbow connector male 1X M5 inlet + 1X 4X6 ribbed outlet 10 per pack	
AC01C00046	PM54 * Straight FITTING male M5 - 2.7x4 ribbed	Straight connector male 1X M5 inlet + 1X D4 outlet 10 per pack	
AC01C00047	PM56 * Straight FITTING male M5 - 4x6 ribbed	Straight connector male 1X M5 inlet + 1X D6 outlet 10 per pack	
AC01C01501	QM54 * Straight FITTING male 04 - M5	Straight connector male 1X M5 inlet + 1X D4 outlet 10 per pack	
AC01C01541	EP44 * Clip-on pipe UNION equal 04	Clip-on pipe union 1X D4 inlet + 1X D4 outlet 10 per pack	
AC01C01542	EP66 * Clip-on pipe UNION equal 06	Clip-on pipe union 1X D6 inlet + 1X D6 outlet 10 per pack	
AC01C01546	EP46 * Clip-on pipe UNION 04 - 06	Clip-on pipe union 1X D4 inlet + 1X D6 outlet 10 per pack	
AC01C01692	DP44 * Y FITTING simple equal 4	Y fitting single 1X D4 inlet + 2X D4 outlet 1 per pack	
AC01C01693	DP66 * Y FITTING simple equal 6	Y fitting single 1X D6 inlet + 2X D6 outlet 1 per pack	
AC00000616	RQM54 * Elbow FITTING male M5 - 4	Elbow connector male 1X M5 inlet + 1X D4 outlet 10 per pack	
AC01C01484	RQM56 * Angle FITTING male 06 - M5 BSP Cylind.	Elbow connector male 1X M5 inlet + 1X D6 outlet 10 per pack	
AC01C01551	RQ44 * ANGLE FITTING female equal D4	Angle fitting female 1X D4 inlet + 1X D4 outlet 10 per pack	
AC01C01561	TP44 * BRANCH T Equal 04	T branch Equal 1X D4 inlet + 2X D4 outlet 1 per pack	
AC01C01562	TP66 * BRANCH T Equal 06	T branch Equal 1X D6 inlet + 2X D6 outlet 1 per pack	
<b>Setters</b>			
AP05C00407	RP44 * Inline flow CONTROLLER D4	Inline flow controller 1X D4 inlet + 2X D4 outlet 1 per pack	
AP05C00962	RP65 * Inline flow CONTROLLER D6	Inline flow controller 1X D6 inlet + 2X D6 outlet 1 per pack	



## ► Caps



AC00000614

## ► Fixing clamps



0000063117

## ► Pneumatic connectors for quick tool changes



0000062822  
0000062823  
0000062824

## ► Fitting holder plates



0000063099



0000063100

Référence	Product name	Description	Weight in g
<b>Caps</b>			
AC00000614	SMS* PLUG M5 H Hex socket with seal	Plug M5 H Hex socket with seal 10 per pack	
<b>Fixing clamps</b>			
0000063117	MFI-A239* Cable and hose fixing CLAMP (10 parts)	Cable fixing clamp (10 parts)	20
<b>Pneumatic connectors for quick tool changes</b>			
0000062822	LAL-5-1* PNEUMATIC CONNECTOR for quick tool change GWS-1	Pneumatic connector for quick tool change GWS-1, M5 fittings	145
0000062823	LAL-5-2* PNEUMATIC CONNECTOR for quick tool change GWS-2	Pneumatic connector for quick tool change GWS-2, G1/8 fittings	413
0000062824	LAL-6-3* PNEUMATIC CONNECTOR for quick tool change GWS-3	Pneumatic connector for quick tool change GWS-3, G1/4 fittings	1048
<b>Fitting holder plates</b>			
0000063099	MFI-A132* Additional fitting holder PLATE, size 160	Additional fitting holder plate, size 160	450
0000063100	MFI-A133* Additional fitting holder PLATE, size 100	Additional fitting holder plate, size 100	140

# Find all our **best sellers** and the

Product name	Compatible with... (Name of compatible product)
MFI-A41* Quick tool change EOAT side	MFI-A40* Quick tool change robot side, size 100, no connections (p.6)
MFI-A40* Quick tool change Robot side	MFI-A41* Quick tool change EOAT side (p.6)
QC150-A* Quick tool change Robot side	Tool changers (p.6-7): GP-R-20-P22, QC150-B, QC150100 MFI-A103* Interface for quick tool change QC150-B, with screws (p.9)
QC150-B* Quick tool change EOAT side	Tool changers (p.6-7): QC150-A, QCX150-A MFI-A103* Interface for quick tool change QC150-B, with screws (p.9)
MFI-A343* Quick tool change Robot side	MFI-A344* Quick tool change EOAT side (P.6)
MFI-A344* Quick tool change EOAT side	MFI-A343* Quick tool change Robot side (P.6)
GWS-2* Quick tool change Master	Base plates: GGP-2-P22-0-3, GGP-2-P22-90-3 (P.8)
GWS-R-20-K* Quick tool change Master	Interfaces for quick tool change (P.9): QC150-B, QC150100
GGP-R-20-P22* Quick tool change Tool	Interfaces for quick tool change (P.9): QC150-A, QCX150-A, QC150100, MFI-A103 GWS-R-20-K* Quick tool change Master (P.7)
GGP-2-P22-0-3* Base plate for extrusion P22 and for quick tool change GWS-2	Quick tool change GWS-2 LAL-5-2* Pneumatic connector for quick tool change GWS-2 (P.61)
PPV-P22-P22-2* Connection prism for parallel extrusions	Base plates (p.7-8): GGP-1-P22-0-1, GGP-1-P22-0-2, GGP-2-P22-0-3, GGP-2-P22-90-3, GGP-3-P22-0-3, GGP-3-P22-90-3, Quick tool change (p.7): GGP-R-20-P22 Extrusions (p.13-14): MPP-30-30-P22-2000, MPP-30-30-P22-N-2000, MPP-60-30-P22-2000, Clamps (p.25-26): KSV-K-P22-14-50-V, KSV-K-P22-14-100-V, KSV-K-P22-14-150-V, KSV-P22-K-20-50-V, KSV-P22-K-20-100-V, KSV-P22-K-20-150-V
KVP-PI-13-XL* Linking bracket 2 extrusions 90°	Base plates (P.7-8): GGP-0-P13-0-1, GGP-01-P13-0-1, GGP-0-P13-0-2, GGP-0-P22-0-1, GGP-1-P13-0-3, GGP-1-P13-90-3, GGP-R-10-P13, EMF-1818-2000, EMF-2525-2000, EMF-5025-2000, EMF-4040-2000, EMF-8040-2000 Extrusions (p.13-14): SPP-18-10-P13-2000, SPP-18-18-P13-2000, SPP-18-18-P13-N-2000, MPP-30-30-P22-N-2000 Clamps (p.25-26): KSV-K-P13-10-30-V, KSV-K-P13-10-60-V, KSV-K-P13-10-90-V, KSV-K-P13-14-30-V, KSV-K-P13-14-60-V, KSV-K-P13-14-90-V
KST-10-P13* Clamp cylinder tube D10 - perpendicular	Base plates (P.7-8): GGP-0-P13-0-1, GGP-01-P13-0-1, GGP-0-P13-0-2, GGP-0-P22-0-1, GGP-1-P13-0-3, GGP-1-P13-90-3, GGP-R-10-P13 Extrusions (p.13-14): SPP-18-10-P13-2000, SPP-18-18-P13-2000, SPP-18-18-P13-N-2000 Clamps (p.25-26): KSV-K-P13-10-30-V, KSV-K-P13-10-60-V, KSV-K-P13-10-90-V, KSV-K-P13-14-30-V, KSV-K-P13-14-60-V, KSV-K-P13-14-90-V, Adapter plates (p.14): APP-P13 Nozzles (P.29-30): FN 8 A, FN 8 B, SN 8 Elbows (P.23): MFI-A59 Suspensions (p.23): VSRT1010, VSRT1025, VSN1010, VSN1025, VSNT1010
KSK-10-P13-W* Clamp cylinder with ball joint - D10, parallel	Base plates (p.7-8): GGP-0-P13-0-1, GGP-01-P13-0-1, GGP-0-P13-0-2, GGP-0-P22-0-1, GGP-1-P13-0-3, GGP-1-P13-90-3 Extrusions (p.13): SPP-18-10-P13-2000, SPP-18-18-P13-2000, SPP-18-18-P13-N-2000 Clamps (p.26): KSV-K-P13-10-30-V, KSV-K-P13-10-60-V, KSV-K-P13-10-90-V, KSV-K-P13-14-30-V, KSV-K-P13-14-60-V, KSV-K-P13-14-90-V APP-P13* ADAPTER PLATE with groove for extrusions (p.14) Nozzles (p.29): FN 8 A, FN 8 B, SN 8 MFI-A59* ELBOW with tightening element, d10 mm, average, with screws (p.23) Suspensions (p.23): VSRT1010, VSRT1025, VSN1010, VSN1025, VSNT1010, VSNT1025, VSNTG1025 Extensions (p.36): MFI-A155, OF10L60
KKR-10-P13* Fixing clamp tube D10 90°	Fittings (p.14-15): KVS-P13-P13, KVS-P13-P22, WIV-2-2-P13-P13, WIV-2-2-P13-P22, PPV-P13-P13-2, PPV-P13-P22-2, PDV-P13-P13-360, PDV-P13-P22-360, PDV-P13-S-360-E, PGE-P13-P13, KVP-PI-13-XL, KVP-A-P13-P13, KVP-A-P22-P13 Nozzles (p.29-30): FN 8 A, FN 8 B, SN 8 Component holders (p.23): MFI-A59, MFI-A315, VSRT1010, VSRT1025, VSN1010, VSN1025, VSNT1010, VSNT1025, VSNTG1025, MFI-A155
KSD-10-P13* Clamp cylinder tube D10, multi-directional, parallel to prism	Base plates (p.8): GGP-0-P13-0-1, GGP-01-P13-0-1, GGP-0-P13-0-2, GGP-0-P22-0-1, GGP-1-P13-0-3, GGP-1-P13-90-3, GGP-R-10-P13 Extrusions (p.13): SPP-18-10-P13-2000, SPP-18-18-P13-2000, SPP-18-18-P13-N-2000 Clamps (p.25-26): KSV-K-P13-10-30-V, KSV-K-P13-10-60-V, KSV-K-P13-10-90-V, KSV-K-P13-14-30-V, KSV-K-P13-14-60-V, KSV-K-P13-14-90-V Plates (p.14): APP-P13 Nozzles (p.28-29): FN 8 A, FN 8 B, SN 8 Component holders (p.23): MFI-A59, MFI-A315, MFI-A316, MFI-A317, VSRT1010, VSRT1025, VSN1010, VSN1025, VSNT1010, VSNT1025, VSNTG1025, MFI-A155 OF10L60* EXTENSION, d10 mm, M8x1 thread, L60 mm (p.36)
KSK-10-P13* Clamp cylinder with ball joint - D10, perpendicular	Base plates (p.8): GGP-0-P13-0-1, GGP-01-P13-0-1, GGP-0-P13-0-2, GGP-0-P22-0-1, GGP-1-P13-0-3, GGP-1-P13-90-3, GGP-R-10-P13 Extrusions (p.13): SPP-18-10-P13-2000, SPP-18-18-P13-2000, SPP-18-18-P13-N-2000 Clamps (p.25-26): KSV-K-P13-10-30-V, KSV-K-P13-10-60-V, KSV-K-P13-10-90-V, KSV-K-P13-14-30-V, KSV-K-P13-14-60-V, KSV-K-P13-14-90-V Plates (p.14): APP-P13 Nozzles (p.28-29): FN 8 A, FN 8 B, SN 8 Component holders (p.23): MFI-A59, VSRT1010, VSRT1025, VSN1010, VSN1025, VSNT1010, VSNT1025, VSNTG1025, MFI-A155 OF10L60* EXTENSION, d10 mm, M8x1 thread, L60 mm (p.36)
GGD-LS-14-18-5-40* Spring-loaded nozzle with fixed end cap	MFI-A151* EXTENSION with air duct, d14 mm, long, G1/8 (p.36) Clamps (p.26): KSV-K-P13-10-30-V, KSV-K-P13-10-60-V, KSV-K-P13-10-90-V Accessory holders (p.31-34): SV 10, LT12 C, LT12 G, BL 10 Component holders (p.23): MFI-A156, MFI-A04, MFI-A348, MFI-A250, MFI-A116, MFI-A121, MFI-A332, MFI-A59, MFI-A155 Clamps (p.24-26): KST-10-P13, KST-10-P13-W, KSV-10-60-P13, KSV-10-140-P13, KSV-D-10-10-60-P13, KSV-D-10-10-100-P13, KSK-10-P13-W, KSK-10-P13, KSD-10-P13, KKR-10-P13
GGG-G-10-18-5-60* Fixed nozzle	Clamps (p.26): KSV-K-P13-10-30-V, KSV-K-P13-10-60-V, KSV-K-P13-10-90-V Accessory holders (p.33): SV 10, LT12 C, LT12 G, BL 10 Component holders (p.23): MFI-A156, MFI-A04, MFI-A348, MFI-A250, MFI-A116, MFI-A121, MFI-A332, MFI-A59, MFI-A155 Clamps (p.24-26): KST-10-P13, KST-10-P13-W, KSV-10-60-P13, KSV-10-140-P13, KSV-D-10-10-60-P13, KSV-D-10-10-100-P13, KSK-10-P13-W, KSK-10-P13, KSD-10-P13, KKR-10-P13, MFI-A151
GGV-G-10-5-5-10* Spring-loaded nozzle with swivelling end cap (not rotating)	Clamps (p.26): KSV-K-P13-10-30-V, KSV-K-P13-10-60-V, KSV-K-P13-10-90-V Accessory holders (p.33): SV 10, LT12 C, LT12 G, BL 10 Component holders (p.23): MFI-A156, MFI-A04, MFI-A348, MFI-A250, MFI-A116, MFI-A121, MFI-A332, MFI-A59, MFI-A155 Clamps (p.24-26): KST-10-P13, KST-10-P13-W, KSV-10-60-P13, KSV-10-140-P13, KSV-D-10-10-60-P13, KSV-D-10-10-100-P13, KSK-10-P13-W, KSK-10-P13, KSD-10-P13, KKR-10-P13

# MyGripper products compatible with them

Product name	Compatible with... (Name of compatible product)
GGV-G-20-14-18-50* Spring-loaded nozzle with swivelling end cap (not rotating)	MFI-A328* Interface tubes, d20 mm, for QC90-B, with screws (p.9) Accessory holders (p.30-33): LT12 20 A, LT12 20 B, L2T20 A, L2T20 B, L1T20, SG 20 Clamps (p.24-26): KSV-P22-K-20-50-V, KSV-P22-K-20-100-V, KSV-P22-K-20-150-V, KST-20-P22, KST-20-P22-W, KSV-20-80-P22, KSV-20-180-P22, KSV-D-20-20-120-P22, KSV-D-20-20-160-P22, KSK-20-P22-W, KSK-20-P22, KSD-20-P22, KKR-20-P22 Fittings: LT12 20, LT20, L2T20, BL 20 Accessory holders (p.33-34): MFI-A38, MFI-A07, MFI-A350, MFI-A252, MFI-A64, MFI-A151
GZA-10-8-P13* Gripper with 2 angular jaws for prism	Clamps: KSV-K-P13-10-30-V, KSV-K-P13-10-60-V, KSV-K-P13-10-90-V, KVS-P13-P13, KVS-P13-P22, KST-10-P13, KST-14-P13, KST-10-P13-W, KST-14-P13-W, KSV-10-60-P13, KSV-10-140-P13, KSV-14-70-P13, KSV-14-150-P13, KSV-D-10-10-60-P13, KSV-D-10-10-100-P13, KSV-D-14-14-80-P13, KSK-10-P13-W, KSK-10-P13, KSD-10-P13, KSD-14-P13, KKR-10-P13 Fittings: WIV-2-2-P13-P13, WIV-2-2-P13-P22, PPV-P13-P13-2, PPV-P13-P22-2, PDV-P13-P13-360, PDV-P13-P22-360, PDV-P13-S-360-E, PGE-P13-P13, KVP-PI-13-XL, KVP-A-P13-P13, KVP-A-P22-P13 Accessory holders: SV 10, LT12 C, LT12 G, BL 10, MFI-A156, MFI-A04, MFI-A348, MFI-A250, MFI-A116, MFI-A332, MFI-A59
GZA-14-16-P13* Gripper with 2 angular jaws for prism	Clamps: KSV-K-P13-14-30-V, KSV-K-P13-14-60-V, KSV-K-P13-14-90-V, KSV-K-P22-14-50-V, KSV-K-P22-14-100-V, KSV-K-P22-14-150-V, KVS-P13-P13, KVS-P13-P22, MFI-A37, MFI-A06, MFI-A349, MFI-A251, MFI-A61, KST-10-P13, KST-14-P13, KST-14-P22, KST-10-P13-W, KST-14-P13-W, KST-14-P22-W, KSV-10-60-P13, KSV-10-140-P13, KSV-14-70-P13, KSV-14-150-P13, 1-30-51-10-00-KSV, KSV-14-160-P22, KSV-D-10-10-60-P13, KSV-D-10-10-100-P13, KSV-D-14-14-80-P13, KSV-D-14-14-120-P13, KSV-D-14-14-100-P22, KSV-D-14-14-140-P22, KSK-10-P13-W, KSK-14-P22-W, KSK-10-P13, KSK-14-P22, KSD-10-P13, KSD-14-P13, KSD-14-P22, KKR-14-P13, KKR-14-P22 Fittings: WIV-2-2-P13-P13, WIV-2-2-P13-P22, PPV-P13-P13-2, PPV-P13-P22-2, PDV-P13-P13-360, PDV-P13-P22-360, PDV-P13-S-360-E, PGE-P13-P13, KVP-PI-13-XL, KVP-A-P13-P13, KVP-A-P22-P13 Nozzles: GWR-14-14-80, GWR-14-14-120, GVR-14-14-80, GVR-14-14-120, GVR-10-14-60, GVR-10-14-90, GVR-14-40-P13, GVR-14-80-P13, GVR-14-120-P13, GWP-PI-13-10-30, GWP-PI-13-10-60, GWP-PI-13-10-90, GWP-PI-13-14-40, GWP-PI-13-14-80, GWP-PI-13-14-120
GZA-14-16-C-S* Gripper with 2 angular jaws for prism, with sensor	Clamps: KSV-K-P13-14-30-V, KSV-K-P13-14-60-V, KSV-K-P13-14-90-V, KSV-K-P22-14-50-V, KSV-K-P22-14-100-V, KSV-K-P22-14-150-V, KVS-P13-P13, KVS-P13-P22, KST-10-P13, KST-14-P13, KST-14-P22, KST-10-P13-W, KST-14-P13-W, KST-14-P22-W, KSV-10-60-P13, KSV-10-140-P13, KSV-14-70-P13, KSV-14-150-P13, 1-30-51-10-00-KSV, KSV-14-160-P22, KSV-D-10-10-60-P13, KSV-D-10-10-100-P13, KSV-D-14-14-80-P13, KSV-D-14-14-120-P13, KSV-D-14-14-100-P22, KSV-D-14-14-140-P22, KSK-10-P13-W, KSK-14-P22-W, KSK-10-P13, KSK-14-P22, KSD-10-P13, KSD-14-P13, KSD-14-P22, KKR-14-P13, KKR-14-P22 Fittings: WIV-2-2-P13-P13, WIV-2-2-P13-P22, PPV-P13-P13-2, PPV-P13-P22-2, PDV-P13-P13-360, PDV-P13-P22-360, PDV-P13-S-360-E, PGE-P13-P13, KVP-PI-13-XL, KVP-A-P13-P13, KVP-A-P22-P13, MFI-A37, MFI-A06, MFI-A349, MFI-A251, MFI-A61 Nozzles: GWR-14-14-80, GWR-14-14-120, GVR-14-14-80, GVR-14-14-120, GVR-10-14-60, GVR-10-14-90, GVR-14-40-P13, GVR-14-80-P13, GVR-14-120-P13, GWP-PI-13-10-30, GWP-PI-13-10-60, GWP-PI-13-10-90, GWP-PI-13-14-40, GWP-PI-13-14-80, GWP-PI-13-14-120
ANS-10* Nipper	AAS-10* Adapter for fixing ANS-10 nipper (p.33)
SZE-10-15-16* Blades for ANS-10 nipper, 15° angle	Nipper ANS-10
EBP120 * EOAT spacer Ø120 H20	BP120 * BASE PLATE D 120 (p.8) Blades for nipper (p.48): SZE-10-15-16, SZE-10-40-13
BP120 * Base plate D 120	EBP120 * EOAT SPACER Ø120 H20 (p.10) Adaptor kits (p.8): ABP1, ABP2 Nuts (p.19): MFI-025, MFI-178 BPH1 * EOAT support UNIT D90 and D120 (p.17) Accessory holders (p.29-30): L2T12 B, L2T12 C, L2T12 D, L2T20 A
RBP150 * Adaptor plate W=120 L=150	EBP90 * EOAT spacer Ø90 H15 (p.10) Accessory holders (p.29-30): L2T12 B, L2T12 C, L2T12 D, L2T20 A
MFI-A230* T-shape fixing plate	Plugs (p.18): EMF-2525-2000, EMF-5025-2000 Nuts (p.19): MFI-025, MFI-027
T12 * Tube D12 L1000	Accessory holders (p.29-30): L2T12 B, L2T12 C, L2T12 D, L2T12 F, L2T12 G, LT12 20 A, LT12 20 B, LP12, ST12
MFI-A140* Right angle clamp for fixing extrusions (small)	Plugs (p.18): EMF-1818-2000, EMF-2525-2000, EMF-5025-2000, EMF-4040-2000, EMF-8040-2000, Nuts (p.19): MFI-025
MFI-A13* Cross connector extrusion 50x25	Plugs (p.18): EMF-2525-2001, EMF-5025-2001 Nuts (p.19): MFI-025
ST12 * End cap wing-type for tube D12	T12 * TUBE D12 L1000 (p.17)
MFI-A61* Adjustable EOAT arm	Clamps (p.24-25): KSV-K-P13-14-30-V, KSV-K-P13-14-60-V, KSV-K-P13-14-90-V, KSV-K-P22-14-50-V, KSV-K-P22-14-100-V, KSV-K-P22-14-150-V, Clamps and component holders: MFI-A37, MFI-A06, MFI-A349, MFI-A251, MFI-A332
VSRT1010* Non-rotative suspensions with threaded body	Clamps (p.24-25): KSV-K-P13-10-30-V, KSV-K-P13-10-60-V, KSV-K-P13-10-90-V Accessory holders (p.30-33): SV 10, LT12 C, LT12 G, BL 10 Clamps and component holders: MFI-A156, MFI-A04, MFI-A348, MFI-A250, MFI-A116, MFI-A121, MFI-A332, MFI-A59
VSNT1010* Non-rotative suspensions with smooth body	Clamps: KSV-K-P13-10-30-V, KSV-K-P13-10-60-V, KSV-K-P13-10-90-V Accessory holders: SV 10, LT12 C, LT12 G, BL 10 Clamps and component holders: MFI-A156, MFI-A04, MFI-A348, MFI-A250, MFI-A116, MFI-A121, MFI-A332
VSNT1010* Non-rotative suspensions with threaded body	Clamps: KSV-K-P13-10-30-V, KSV-K-P13-10-60-V, KSV-K-P13-10-90-V Accessory holders: SV 10, LT12 C, LT12 G, BL 10 Clamps and component holders: MFI-A156, MFI-A04, MFI-A348, MFI-A250, MFI-A116, MFI-A121, MFI-A332, MFI-A59
FN4B * FIXED nozzle T 4 M 6 Adj 15 mm	Accessory holders (p.30): LT12 A, LT12 E Vacuum cups (see dedicated section): VS10S, VS10N, VS15S, VS15N, VS20S, VS20N, VS25S, VS25N, VD5S, VD5N, VD11S, VD11N, VD16S, VD16N, VD19S, VD19N, VD25S, VD25N, VT6S, VT6N, VT7S, VT7N, VT9S, VT9N, VT12S, VT12N, VT14S, VT14N, VT18S, VT18N, VT25S, VT25N, VL20, VL25, FN4A, VP20STN, VSA5STN, VSA11STN, VSA16STN, VSA20STN, VSA25STN, VS5STN, VS7STN, VS9STN, VS12STN, VS14STN, VS18STN, VS25STN, VP8STN, VP15STN, VP25STN
FN8A * FIXED nozzle T 8 M 10 Adj 15 mm	Accessory holders: SV10, LT12 C, LT12 G, BL 10 Clamps: MFI-A156, MFI-A04, MFI-A348, MFI-A250, MFI-A116, MFI-A121, MFI-A332, MFI-A59, KST-10-P13, KST-10-P13-W, KSV-10-60-P13, KSV-10-140-P13, KSV-D-10-10-60-P13, KSV-D-10-10-100-P13, KSK-10-P13-W, KSK-10-P13, KSD-10-P13, KKR-10-P13 Nozzles (p.21-22): GWR-10-10-60, GWR-10-10-90, GVR-10-10-60, GVR-10-10-90 Vacuum cups (see dedicated section): VS26S, VS26N, VS35S, VS35N, VS52S, VS52N, VS60S, VS60N, VD26S, VD26N, VD33S, VD33N, VD53S, VD53N, VD63S, VD63N, VT26S, VT26N, VT42S, VT42N, VT62S, VT62N, VJ26, VJ33, VJ53, VM32, VSA26STN, VSA33STN, VSA53STN, VSA63STN, VS26STN, VS42STN, VS62STN, VP30STN, VP40STN, VP50STN

Product name	Compatible with... (Name of compatible product)
SN4L * Nozzle T 4 M 12 C= 30 mm Adj. 50 mm spring-loaded	Accessory holders: LT12D, LT12H, BL12 Clamps: MFI-A37, MFI-A06, MFI-A349, MFI-A251, MFI-A61, MFM-A116, KST-14-P13, KST-14-P22, KST-14-P13-W, KST-14-P22-W, KSV-14-70-P13, KSV-14-150-P13, KSV-14-160-P22, KSV-14-160-P22, KSV-D-14-14-80-P13, KSV-D-14-14-120-P13, KSV-D-14-14-100-P22, KSV-D-14-14-140-P22, KSK-14-P22-W, KSK-14-P22, KSD-14-P13, KSD-14-P22, KKR-14-P13, KKR-14-P22 Nozzles (p.21-22): GWR-14-14-80, GWR-14-14-120, GVR-14-14-80, GVR-14-14-120, GVR-10-14-60, GVR-10-14-90 Vacuum cups (see dedicated section): VS10S, VS10N, VS15S, VS15N, VS20S, VS20N, VS25S, VS25N, VD5S, VD5N, VD11S, VD11N, VD16S, VD16N, VD19S, VD19N, VD25S, VD25N, VT6S, VT6N, VT7S, VT7N, VT9S, VT9N, VT12S, VT12N, VT14S, VT14N, VT18S, VT18N, VT25S, VT25N, VM18, VM25, VL20, VL25, FN4A, VSA5STN, VSA11STN, VSA16STN, VSA20STN, VSA25STN, VS5STN, VS7STN, VS9STN, VS12STN, VS14STN, VS18STN, VS25STN, VP8STN, VP15STN, VP20STN, VP25STN
SN8L * Nozzle T 8 M 12 C= 30 mm Adj. 50 mm spring-loaded	Accessory holders: SV12, LT12D, LT12H, BL12 Clamps: KSV-K-P13-14-30-V, KSV-K-P13-14-60-V, KSV-K-P13-14-90-V, KSV-K-P22-14-50-V, KSV-K-P22-14-100-V, KSV-K-P22-14-150-V, MFI-A06, MFI-A349, MFI-A251, MFI-A61, MFI-A37, MFM-A116, KST-14-P13, KST-14-P22, KST-14-P13-W, KST-14-P22-W, KSV-14-70-P13, KSV-14-150-P13, KSV-14-160-P22, KSV-14-160-P22, KSV-D-14-14-80-P13, KSV-D-14-14-120-P13, KSV-D-14-14-100-P22, KSV-D-14-14-140-P22, KSK-14-P22-W, KSK-14-P22, KSD-14-P13, KSD-14-P22, KKR-14-P13, KKR-14-P22 Vacuum cups (see dedicated section): VS26S, VS26N, VS35S, VS35N, VS52S, VS52N, VS60S, VS60N, VD26S, VD26N, VD33S, VD33N, VD53S, VD53N, VD63S, VD63N, VT42S, VT42N, VT62S, VT62N, VJ26, VJ33, VJ53, VM32, VS26STN, VS42STN, VS62STN, VP30STN, VP40STN, VP50STN Nozzles (p.21-22): GWR-14-14-80, GWR-14-14-120, GVR-14-14-80, GVR-14-14-120, GVR-10-14-60, GVR-10-14-90
L2T12D * Accessory holder bitube clamp-simple-D12-L50	Plates (p.8-9): BP90, BP120, BP135, BP146, RBP150, RBP200, RBP300 Spacer (p.10): EBP90, EBP120, EBP135
L2T12F * Accessory holder bitube clamp-double-D12	L2T12D * ACCESSORY HOLDER bitube clamp-simple-D12-L50 (p.31)
MFI-A117* Clamp with screws	Extrusions: EMF-1818-2000, EMF-2525-2000, EMF-5025-2000, EMF-4040-2000, EMF-8040-2000, SPP-18-18-P13-N-2000, MPP-60-30-P22-2000 Nozzles: FN 8 A, FN 8 B, SN 8
MFI-A37* Round clamp for cross-fixing	Extrusions: EMF-2525-2000, EMF-5025-2000, EMF-4040-2000, EMF-8040-2000, MPP-60-30-P22-2000
MFI-A250* Connector smooth multi-directional	Extrusions: EMF-1818-2000, EMF-2525-2000, EMF-5025-2000, EMF-4040-2000, EMF-8040-2000, SPP-18-18-P13-N-2000, MPP-60-30-P22-2000 Nozzles: FN 8 A, FN 8 B, SN 8
G20 * Gripper D20 2 jaws-ribbed	Tool change interface MFI-A328 Nozzles: LT12 20 A, LT12 20 B, L2T20 A, L2T20 B, L1T20, SG 20, SG 20 L, LT12 J, LT12 L, LT12 20, LT20, L2T20, BL 20, MFI-A38, MFI-A07, MFI-A350, MFI-A252, MFI-A64 Clamps: KSV-P22-K-20-50-V, KSV-P22-K-20-100-V, KSV-P22-K-20-150-V, KST-20-P22, KST-20-P22-W, KSV-20-80-P22, KSV-20-180-P22, KSV-D-20-20-120-P22, KSV-D-20-20-160-P22, KSK-20-P22-W, KSK-20-P22, KSD-20-P22, KKR-20-P22, GWR-20-20-100, GWR-20-20-150, GVR-20-20-100, RRG * RING 8 5 versilic (p.36)
GS20 * Gripper D20-2 jaws-ribbed-with sensor	Tool change interface MFI-A328 Nozzles: LT12 20 A, LT12 20 B, L2T20 A, L2T20 B, L1T20, KSV-P22-K-20-50-V, KSV-P22-K-20-100-V, KSV-P22-K-20-150-V, SG 20, SG 20 L, LT12 J, LT12 L, LT12 20, LT20, L2T20, BL 20, MFI-A38, MFI-A07, MFI-A350, MFI-A252, MFI-A64 Clamps: KST-20-P22, KST-20-P22-W, KSV-20-80-P22, KSV-20-180-P22, KSV-D-20-20-120-P22, KSV-D-20-20-160-P22, KSK-20-P22-W, KSK-20-P22, KSD-20-P22, KKR-20-P22, GWR-20-20-100, GWR-20-20-150, GVR-20-20-100, GVR-20-20-150 RRG * RING 8 5 versilic (p.36)
G25 * Gripper D25 2 jaws-ribbed	Accessory holders: SG 25 L, LT12 K, LT12 M, BL 25 Adapter bushing: MFM-A116 RRG * RING 8 5 versilic (p.36)
GS25 * Gripper D25-2 jaws-ribbed-with sensor	accessory holders: SG 25 L, LT12 K, LT12 M, BL 25 Adapter bushing: MFM-A116 RRG * RING 8 5 versilic (p.36)
DD20-16P* Angle gripper, self-centering	Tool change interface MFI-A328 Nozzles: LT12 20 A, LT12 20 B, L2T20 A, L2T20 B, L1T20 Clamps: KSV-P22-K-20-50-V, KSV-P22-K-20-100-V, KSV-P22-K-20-150-V, SG 20, LT12 20, LT20, L2T20, BL 20, MFI-A38, MFI-A07, MFI-A350, MFI-A252, MFI-A64, KST-20-P22, KST-20-P22-W, KSV-20-80-P22, KSV-20-180-P22, KSV-D-20-20-120-P22, KSV-D-20-20-160-P22, KSK-20-P22-W, KSK-20-P22, KSD-20-P22, GWR-20-20-100, GWR-20-20-150, GVR-20-20-100, GVR-20-20-150
AGG21-B* Gripper for engagement, EOAT side	Tool change interface MFI-A328 Nozzles: LT12 20 A, LT12 20 B, L2T20 A, L2T20 B, L1T20, KSV-P22-K-20-50-V, KSV-P22-K-20-100-V, KSV-P22-K-20-150-V, SG 20, LT12 20, LT20, L2T20, BL 20, MFI-A38, MFI-A07, MFI-A350, MFI-A252, MFI-A64, KST-20-P22, KST-20-P22-W, KSV-20-80-P22, KSV-20-180-P22, KSV-D-20-20-120-P22, KSV-D-20-20-160-P22, KSK-20-P22-W, KSK-20-P22, KSD-20-P22, GWR-20-20-100, GWR-20-20-150, GVR-20-20-100, GVR-20-20-150
PB-0140* Angle gripper, non self-centering	Accessory holders: KSV-K-P13-10-30-V, KSV-K-P13-10-60-V, KSV-K-P13-10-90-V, SV 10, LT12 C, LT12 G, BL 10, MFI-A156, MFI-A04, MFI-A348, MFI-A250, MFI-A116, MFI-A121, MFI-A332, KST-10-P13, KST-10-P13-W, KSV-10-60-P13, KSV-10-140-P13, KSV-D-10-10-60-P13, KSV-D-10-10-100-P13, KSK-10-P13-W, KSK-10-P13, KSD-10-P13, KKR-10-P13, GWR-10-10-60, GWR-10-10-90, GVR-10-10-60, GVR-10-10-90
QFR20-95G* Angle EOAT finger, simple effect	Tool change interface MFI-A328 Nozzles: LT12 20 A, LT12 20 B, L2T20 A, L2T20 B, L1T20, KSV-P22-K-20-50-V, KSV-P22-K-20-100-V, KSV-P22-K-20-150-V, SG 20, LT12 20, LT20, L2T20, BL 20, MFI-A38, MFI-A07, MFI-A350, MFI-A252, MFI-A64, KST-20-P22, KST-20-P22-W, KSV-20-80-P22, KSV-20-180-P22, KSV-D-20-20-120-P22, KSV-D-20-20-160-P22, KSK-20-P22-W, KSK-20-P22, KSD-20-P22, GWR-20-20-100, GWR-20-20-150, GVR-20-20-100, GVR-20-20-150
GN-30* Nipper body	AAS-20* Adapter for fixing ANS-20 nipper (p.33) G.N30AJ* Straight blades, for nipper, sizes 30 and 50 (p.49) G.N30AP* 15 blades, for nipper, sizes 30 and 50 (p.49) G.N30PF* 30 blades, for nipper, sizes 30 and 50 (p.49)
VS25S * Vacuum cup D25 flat T4 silicone	Nozzles (p.29): FN4B, FN4C, FN4D, SN4, SN4L
VS26S * Vacuum cup D26 flat T8 silicone	Nozzles (p.29): FN8A, FN8B, SN8, SN8L
VT12S * Vacuum cup D12 2 bellows T4 silicone	Nozzles (p.29): FN4B, FN4C, FN4D, SN4, SN4L
VT25S * Vacuum cup D25 2 bellows T4 silicone	Nozzles (p.29): FN4B, FN4C, FN4D, SN4, SN4L
VT26S * Vacuum cup D26 2 bellows T8 silicone	Nozzles (p.29): FN8A, FN8B, SN8, SN8L
VD25S * Vacuum cup D25 1 bellow T4 silicone	Nozzles (p.29): FN4B, FN4C, FN4D, SN4, SN4L
VD26S * Vacuum cup D26 1 bellow T8 silicone	Nozzles (p.29): FN8A, FN8B, SN8, SN8L



# Experience

## Full Control

Sepro Group designs and integrates 3-axis, 5-axis and 6-axis robots with a single native control platform for all your injection moulding machines from any brand.



We provide unwavering customer focus,



technological innovation



and global service

for all your industrial robotics and automation solution projects worldwide.



# My Gripper

Make it yours !